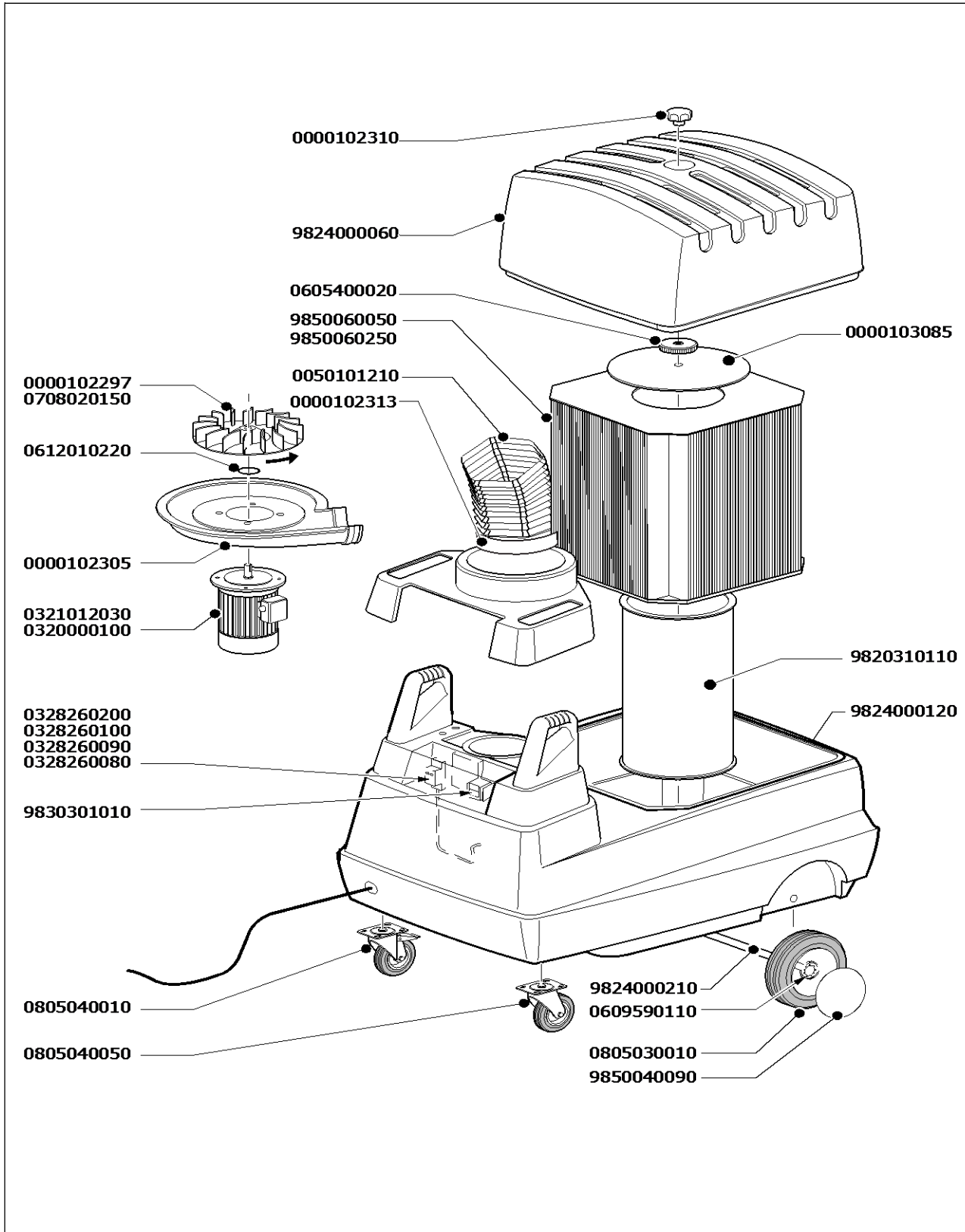


Exploded view
MFD



Spare parts MFD

Art. no.	Description	0
0000102297	Aluminium fan wheel 50Hz	-
0000102305	Housing FAN-14/28/MNF/mobile units, motor side	-
0000102310	Star knob M8	-
0000102313	Rubber collar Ø 203 mm	-
0000103085	Filter cover plate MFD/SFD	-
0050101210	Hose set (Ultra)Flex for mounting on mobile unit	-
0605400020	Knurled nut M8	-
0609590110	Starlock 22 mm	-
0612010220	Adjusting ring 19x1	-
0708020150	Aluminium fan wheel 60Hz	-
0805030010	Wheel Ø 250 mm black (excl. wheel covers)	-
0805040010	Swivel castor Ø 125 mm with brake	-
0805040050	Swivel castor Ø 125 mm without brake	-
9820310110	Spark arrester MFD/SFD	-
9824000060	Filter cover MFD/MFE incl. outlet grid	-
9824000120	Housing set MFD (complete)	-
9824000210	Axle MFD/MFE	-
9830301010	Filter pollution indicator	-
9850040090	Wheel covers yellow MFD/MFS/MFE (2 pieces)	-
9850060050	DuraFilter FCC-50	-
9850060250	DuraFilter FCC-50/HE	-
• MFD (400V/3ph/50Hz)		
0320000100	Motor 0,75 kW, 230-400V/3ph/50-60Hz	-
0328260080	Motor protection switch MPS 1.6-2.5A (mobile units)	-
• MFD (230V/3ph/50Hz)		
0320000100	Motor 0,75 kW, 230-400V/3ph/50-60Hz	-
0328260090	Motor protection switch MPS 2.5-4.0A (mobile units)	-
• MFD (230V/1ph/50Hz)		
0321012030	Motor 0,75kW, 115-230V/1ph/50-60Hz	-
0328260100	Motor protection switch MPS 4.0-6.3A (mobile units)	-
• MFD (115V/1ph/50Hz)		
0321012030	Motor 0,75kW, 115-230V/1ph/50-60Hz	-
0328260200	Motor protection switch MPS 10-16A (CSA+UL; mobile units)	-
• MFD-IFA (400V/3ph/50Hz)		
0000102277	Control lamp 28V, yellow	-
0000102282	PC board motor direction	-
0000102289	Relay MC2A	-
0000102290	Transformer 50W/24V 115/230/400V	-
0320000100	Motor 0,75 kW, 230-400V/3ph/50-60Hz	-
0328260080	Motor protection switch MPS 1.6-2.5A (mobile units)	-
0328280020	Pressure difference switch 6-50 mBar	-
9850070070	Buzzer MFD-BIA	-
9870080160	Fuse 2 A (10 pieces)	-