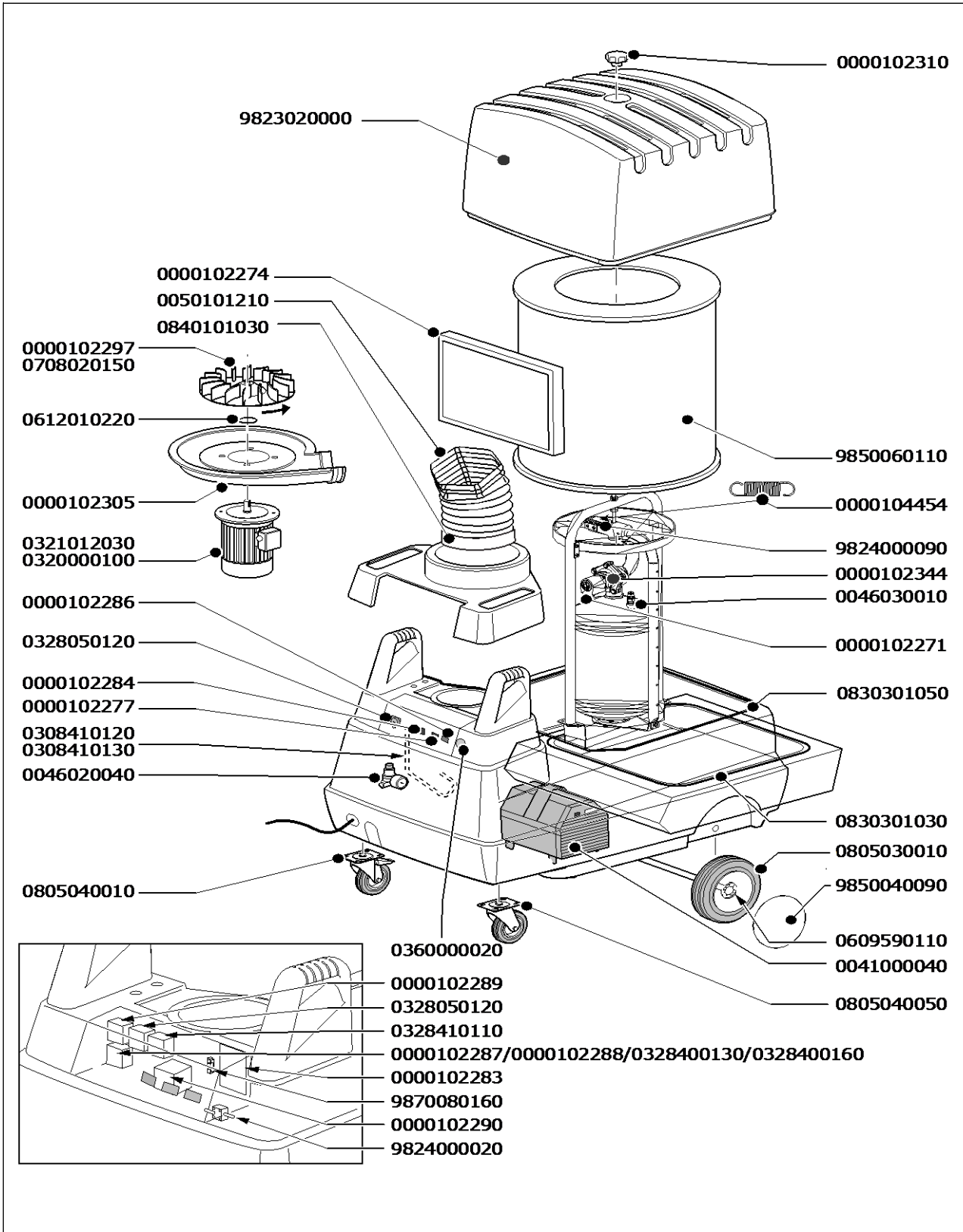


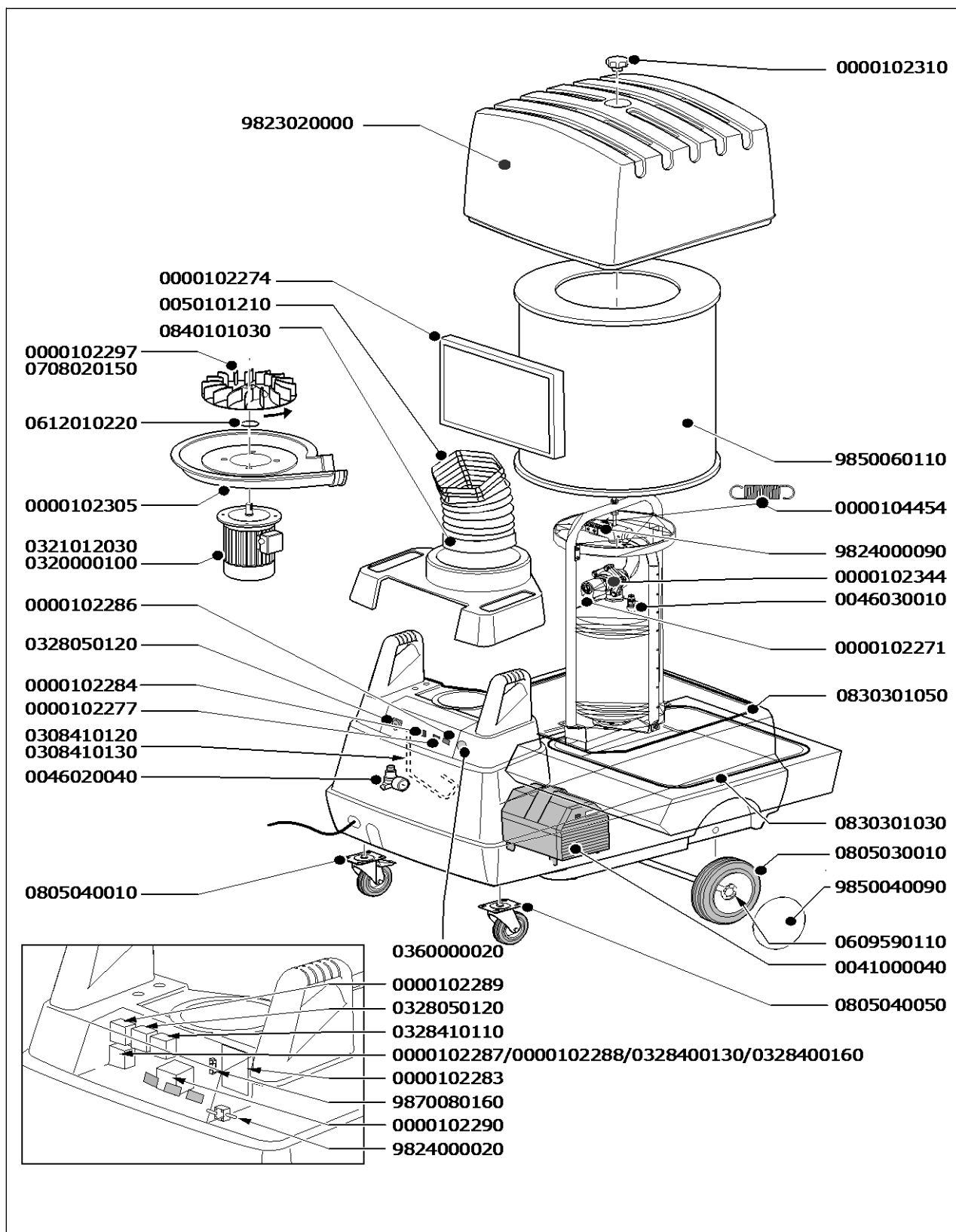
Exploded view
MFS | MFS/C



Spare parts MFS

Art. no.	Description	0
0000102274	Spark arrester MFS/SFS (HD)	-
0000102271	Magnetic valve	-
0000102277	Control lamp 28V, yellow	-
0000102283	PC board control MFS/SFS	-
0000102284	Tumbler switch 0-I (USA/Canada)	-
0000102286	Reset/start button	-
0000102289	Relay MC2A	-
0000102290	Transformer 50W/24V 115/230/400V	-
0000102297	Aluminium fan wheel 50Hz	-
0000102305	Housing FAN-14/28/MNF/mobile units, motor side	-
0000102310	Star knob M8	-
0000102313	Rubber collar Ø 203 mm	-
0000102344	Membrane + spring of magnetic valve	-
0000104454	Tension spring	-
0046020040	Pressure regulating valve + pressure gauge MFS/SFS/SCS	-
0046030010	Safety valve 6-10 bar for compressed air tank	-
0050101210	Hose set (Ultra)Flex for mounting on mobile unit	-
0328050120	Main switch VCO	-
0609590110	Starlock 22 mm	-
0612010220	Adjusting ring 19x1	-
0708020150	Aluminium fan wheel 60Hz	-
0805030010	Wheel Ø 250 mm black (excl. wheel covers)	-
0805040010	Swivel castor Ø 125 mm with brake	-
0805040050	Swivel castor Ø 125 mm without brake	-
0830301030	Sealing dust tray MFS-MFS/C	-
0830301050	Sealing	-
9823020000	Filter cover MFS incl. outlet grid	-
9824000020	Pressure difference switch MFS (800 Pa)	-
9824000090	Piston mechanism MFS/SFS/SCS	-
9850040090	Wheel covers yellow MFD/MFS/MFE (2 pieces)	-
9850060110	DuraFilter FCC-30	-
9870080160	Fuse 2 A (10 pieces)	-
• MFS (400V/3ph/50Hz)		
0000102287	Thermal relay NTR-1.7-2.4A	-
0320000100	Motor 0,75 kW, 230-400V/3ph/50-60Hz	-
• MFS (230V/3ph/50Hz)		
0000102288	Thermal relay NTR-3.0-4.7A	-
0320000100	Motor 0,75 kW, 230-400V/3ph/50-60Hz	-
• MFS (230V/1ph/50Hz)		
0321012030	Motor 0,75kW, 115-230V/1ph/50-60Hz	-
0328400130	Thermal relay NTR-4.0-6.3A	-
• MFS (115V/1ph/50Hz)		
0321012030	Motor 0,75kW, 115-230V/1ph/50-60Hz	-
0328400160	Thermal relay NTR-10-14A	-
• MFS-BIA (230V/1ph/50Hz)		
0321012030	Motor 0,75kW, 115-230V/1ph/50-60Hz	-
0328400130	Thermal relay NTR-4.0-6.3A	-
0360000020	Buzzer MFS-BIA/SCS	-

Exploded view
MFS | MFS/C



Spare parts
MFS/C

Art. no.	Description	0
• MFS/C (400V/3ph/50Hz)		
0000102287	Thermal relay NTR-1.7-2.4A	-
0041000040	Compressor unit MFS 230V/1ph	-
0320000100	Motor 0,75 kW, 230-400V/3ph/50-60Hz	-
• MFS/C (230V/3ph/50Hz)		
0000102288	Thermal relay NTR-3.0-4.7A	-
0041000040	Compressor unit MFS 230V/1ph	-
0320000100	Motor 0,75 kW, 230-400V/3ph/50-60Hz	-
• MFS/C (230V/1ph/50Hz)		
0041000040	Compressor unit MFS 230V/1ph	-
0321012030	Motor 0,75kW, 115-230V/1ph/50-60Hz	-
0328400130	Thermal relay NTR-4.0-6.3A	-
• MFS/C-IFA (230V/1ph/50Hz)		
0041000040	Compressor unit MFS 230V/1ph	-
0321012030	Motor 0,75kW, 115-230V/1ph/50-60Hz	-
0328400130	Thermal relay NTR-4.0-6.3A	-
0360000020	Buzzer MFS-BIA/SCS	-