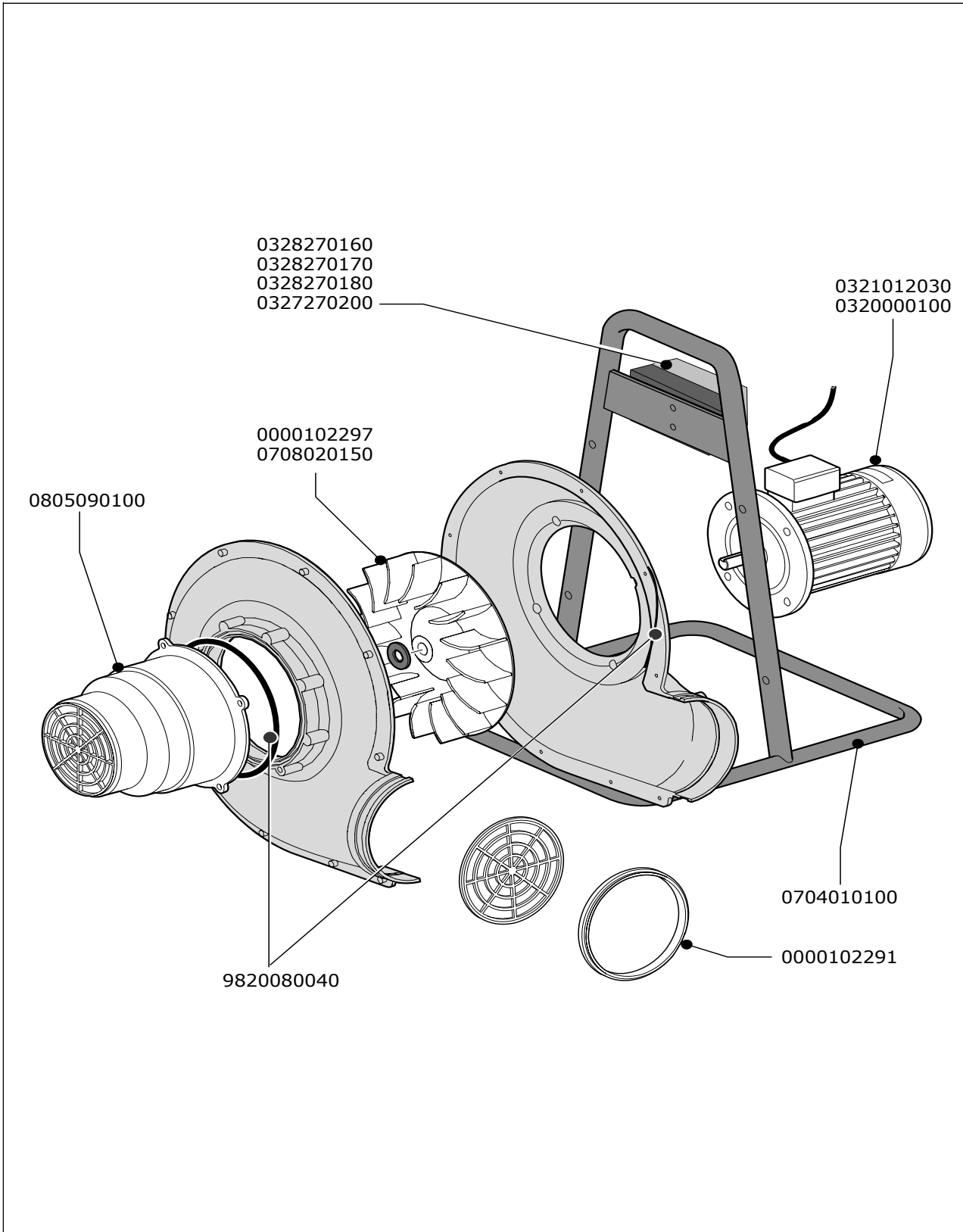


Exploded view
MNF



Spare parts

MNF

Art. no.	Description	0
0000102291	Sealing ring	-
0000102297	Aluminium fan wheel 50Hz	-
0704010100	Frame MNF	-
0708020150	Aluminium fan wheel 60Hz	-
0805090100	Flange COK-160/200	-
9820080040	Sealing set FAN 14/28/MNF	-
• MNF (400V/3ph/50Hz)		
0320000100	Motor 0,75 kW, 230-400V/3ph/50-60Hz	-
0328270160	Motor protection switch MPS 1.6-2.5A	-
• MNF (230V/3ph/50Hz)		
0320000100	Motor 0,75 kW, 230-400V/3ph/50-60Hz	-
0328270170	Motor protection switch MPS 2.5-4.0A	-
• MNF (230V/1ph/50Hz)		
0321012030	Motor 0,75kW, 115-230V/1ph/50-60Hz	-
0328270180	Motor protection switch MPS 4.0-6.3A	-
• MNF (115V/1ph/50Hz)		
0321012030	Motor 0,75kW, 115-230V/1ph/50-60Hz	-
0328270200	Motor protection switch MPS 10-16A	-
• MNF (115V/1ph/60Hz)		
0321012030	Motor 0,75kW, 115-230V/1ph/50-60Hz	-
0328270200	Motor protection switch MPS 10-16A	-

SUS-5/160

Art. no.	Description	0
7900051090	EN-160 / Extraction nozzle (complete)	-