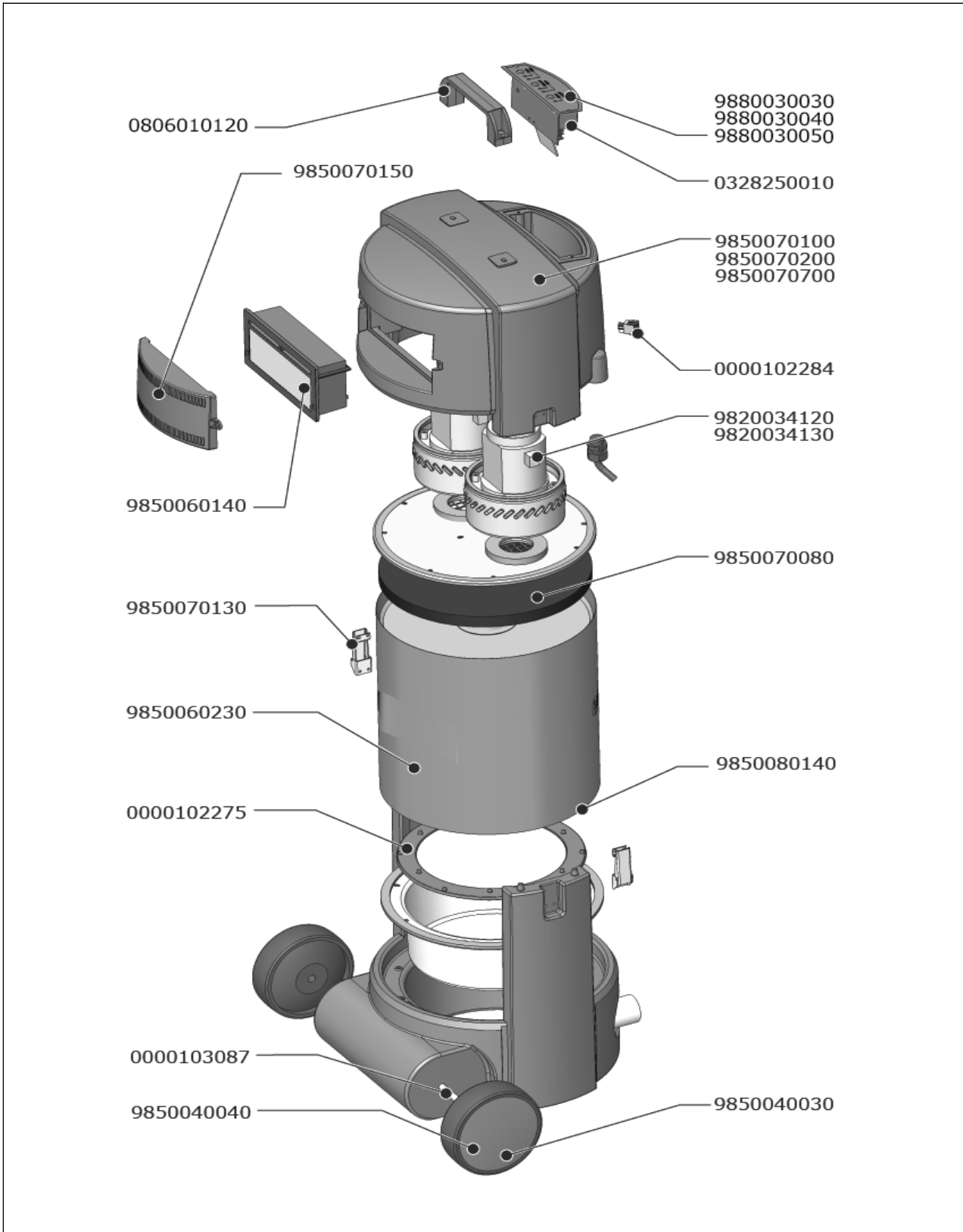


Exploded view
PHV



Spare parts

PHV

Art. no.	Description	0
0000102275	Pre filter PHV	-
0000102284	Tumbler switch 0-I (USA/Canada)	-
0000103087	Wheel axle PHV * Miniflex	-
0328250010	Pressure switch PHV (IFA)	-
0806010120	Handle black	-
9820034120	Carbon brushes 230V (2 sets) + motor seals	-
9820034130	Carbon brushes 120V (2 sets) + motor seals	-
9840251030	Motor PHV 120V/50-60Hz, incl. seals	-
9840251040	Motor PHV 230V/50-60Hz; incl. seals	-
9850040030	Wheel set PHV (2 pieces, excl. wheel covers)	-
9850040040	Wheel covers yellow PHV (2 pieces)	-
9850060140	HEPA filter H12	-
9850060230	Dura-H filter	-
9850070080	Activated carbon filter FAC-HV	-
9850070100	Top cover PHV; 230V/1ph/50Hz	-
9850070130	Draw latch PHV (set of 2)	-
9850070150	Outlet cover PHV	-
9850070200	Top cover PHV-I; 230V/1ph/50Hz	-
9850070700	Top cover PHV; 120V/1ph/60Hz	-
9850080140	Seals main filter PHV (set)	-
9880030030	Control panel + PC board PHV; 120-230V/1ph/50Hz	-
9880030040	Control panel + PC board PHV; 120-230V/1ph/50Hz (IFA)	-
9880030050	Control panel + PC board PHV; 120V/1ph/60Hz (USA/Canada)	-

EN-20 | EN-40

Art. no.	Description	0
0000102730	Magnetic foot Ø 80 mm	-