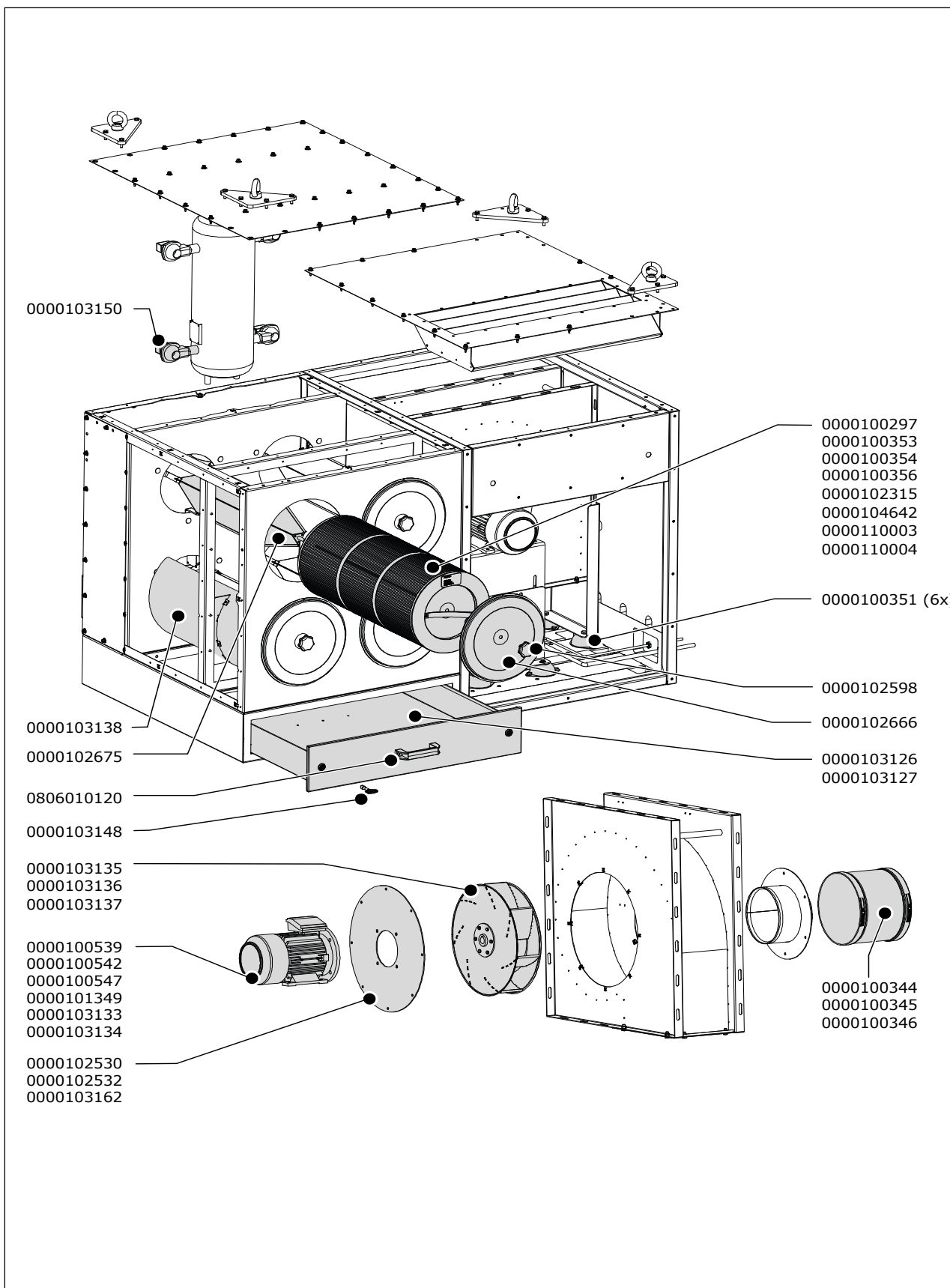


Exploded view
MDB-COMPACT



Spare parts MDB-COMPACT

| Art. no. | Description | 0 |
|------------------------|---|---|
| 0000100297 | CART-PTFE/10 / Filter cartridge | - |
| 0000100351 | TEV-AV/79 / Vibration dampers (6 pcs) | - |
| 0000100353 | CART-C / Filter cartridge | - |
| 0000100354 | CART-E / Filter cartridge | - |
| 0000100356 | CART-D Premium Plus / Filter cartridge | - |
| 0000101373 | PRECO-N (1 kg) / Precoat material | - |
| 0000102315 | CART-MB / Filter cartridge | - |
| 0000102411 | Drain valve ½ inch | - |
| 0000102584 | Lock kit for CART filter cartridge | - |
| 0000102598 | Star knob M12 | - |
| 0000102666 | Cover plate for filter cartridge CART (MDB) | - |
| 0000102675 | Filter cartridge holder MDB | - |
| 0000103138 | Deflector plate | - |
| 0000103148 | Square key | - |
| 0000103150 | Magnetic valve MDB, incl. 24V DC coil and 3 m cable | - |
| 0000104642 | CART-PTFE/15 / Filter cartridge | - |
| 0000110003 | CART-D Premium / Filter cartridge | - |
| 0000110004 | CART-D Economy / Filter cartridge | - |
| 0069002280 | PRECO-N (14 kg) / Precoat material | - |
| 0806010120 | Handle black | - |
| • MDB-2/COMPACT | | |
| 0000100344 | SC-200 / Soft connection | - |
| 0000100539 | Motor 2,2 kW; 575V/3ph/60Hz | - |
| 0000101349 | Motor 2,2 kW; 208-230/460V/3ph/60Hz (IEC) | - |
| 0000103126 | Dust drawer W=450 mm | - |
| 0000103135 | Fan wheel 315/110/24 | - |
| 0000103162 | Motor plate TEV-3110 (IEC) | - |
| 0000104043 | FilterControl-2/CE | - |
| 0000104064 | FilterControl-2/UL | - |
| • MDB-4/COMPACT | | |
| 0000100345 | SC-250 / Soft connection | - |
| 0000100542 | Motor 4 kW (5 HP); 575V/3ph/60Hz (IEC) | - |
| 0000102530 | Motor plate TEV-559 (IEC) | - |
| 0000103127 | Dust drawer W=900 mm | - |
| 0000103133 | Motor 4 kW (5 HP); 208-230/460V/3ph/60Hz (IEC) | - |
| 0000103136 | Fan wheel 400/59/28 | - |
| 0000104044 | FilterControl-4/CE | - |
| 0000104065 | FilterControl-4/UL | - |
| • MDB-6/COMPACT | | |
| 0000100346 | SC-315 / Soft connection | - |
| 0000100547 | Motor 7.5 kW (10 HP); 575V/3ph/60Hz (IEC) | - |
| 0000102532 | Motor plate TEV-745 (IEC) | - |
| 0000103127 | Dust drawer W=900 mm | - |
| 0000103134 | Motor 7.5 kW (10 HP); 208-230/460V/3ph/60Hz (IEC) | - |
| 0000103137 | Fan wheel 500/45/38 | - |
| 0000104045 | FilterControl-6/CE | - |
| 0000104066 | FilterControl-6/UL | - |