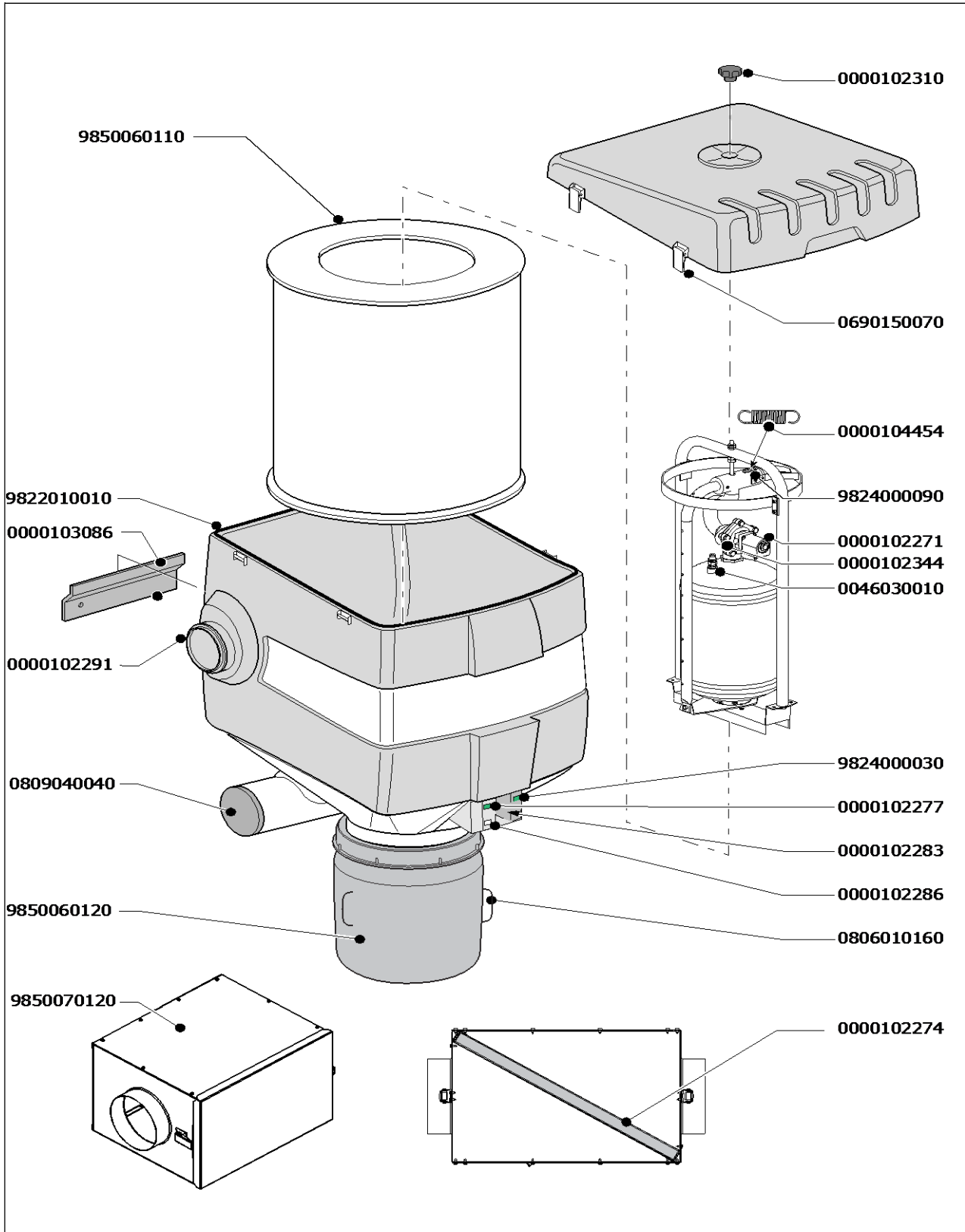


Exploded view  
**SFS**



## Spare parts

### SFS

Art. no.	Description	0
0000102271	Magnetic valve	-
0000102274	Spark arrester MFS/SFS (HD)	-
0000102277	Control lamp 28V, yellow	-
0000102283	PC board control MFS/SFS	-
0000102286	Reset/start button	-
0000102291	Sealing ring	-
0000102310	Star knob M8	-
0000102344	Membrane + spring of magnetic valve	-
0000103086	Mounting strip SFD/SFS	-
0000104454	Tension spring	-
0046030010	Safety valve 6-10 bar for compressed air tank	-
0690150070	Lock SFD/SFS	-
0806010160	Handle barrel SFS	-
0809040040	Cover Ø 160 mm	-
9822010010	Sealing SFD/SFS (2,5 m)	-
9824000030	Pressure difference switch SFS (670Pa)	-
9824000090	Piston mechanism MFS/SFS/SCS	-
9850060110	DuraFilter FCC-30	-
9850060120	Barrel 15L for filter residue SFS (reusable)	-
9850070120	Prefilter box (SFS)	-