

TEV RANGE

TEV-385/585/765/985

The TEV is an extraction fan that is designed to remove welding fumes and other harmful fumes such as dust, oil mist and vehicle exhaust gases.

The TEV fan is intended and designed for mounting to a central extraction system.



APPLICATIONS

The TEV is intended to be used for the following applications:

- MIG-MAG/GMAW welding
- TIG welding
- FCAW welding
- stick/MMAW welding
- vehicle exhaust extraction systems



Do **not** use the TEV for the following applications or in the following circumstances:

- aluminium laser cutting
- extraction of aggressive fumes and gases (e.g. from acids, alkaline, or soldering paste containing lithium)
- extraction of hot gases (more than 80°C/176°F continuously)
- grinding aluminium and magnesium
- flame spraying
- extraction of cement, saw dust, wood dust, etc.
- explosive environments or explosive substances/gases



SPECIFICATIONS

Physical dimensions and properties

Material:	
• fan	aluminium
• housing	sheet metal
Colour:	
• motor	black (RAL 9005)
• housing	grey (RAL 7011)
Motor design	IEC 60072
Discharge position	rotatable 90°
Fan type	radial
Design conditions	20°C (68°F) at sea level
Max. airflow temperature	80°C (176°F)
Performance	
Speed	2800 rpm
Electrical data	
Max. start/stops per hour	30
Insulation class	F
Protection class	IP 55

Ambient conditions

Operating temperature:	
• min.	5°C (41°F)
• nom.	20°C (68°F)
• max.	40°C (104°F)
Max. relative humidity	80%
Storage conditions	5-40°C (41-104°F) relative humidity max. 80%

Product combinations

Vehicle exhaust extraction systems	all systems
Filter units	all systems
Fume extraction systems	all systems
Control equipment	all systems

Scope of supply

Extraction fan

Order information

Number/package	1
----------------	---

Shipping data

Harmonized Tariff Code	8414.5940.90
Country of origin	the Netherlands

See table 1: for dimensions

See table 2: for remaining specifications, options and accessories

See page 4: for fan curves

APPROVALS/CERTIFICATES

	Directive 2011/65/EC (RoHS) valid as of 8 June 2011

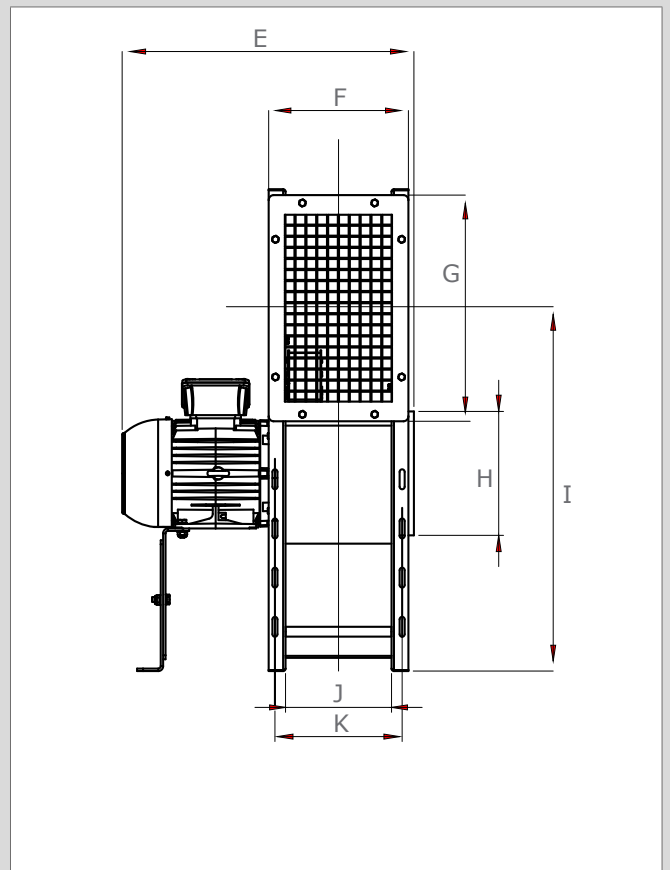
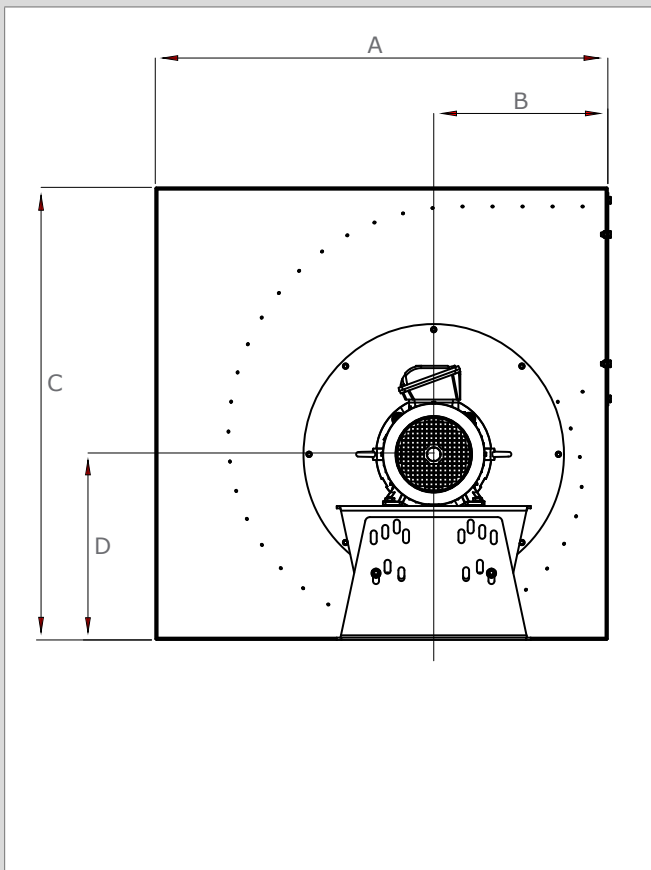


Table 1: Dimensions

	TEV-385		TEV-585		TEV-765		TEV-985	
	mm	inch	mm	inch	mm	inch	mm	inch
A	640	25.2	783	30.8	980	38.6	1100	43.3
B	285	11.2	339	13.4	377	14.8	479	18.9
C	640	25.2	783	30.8	980	38.6	1100	43.3
D	267	10.5	310	12.2	402	15.8	447	17.6
E	446	17.6	532	20.9	606	23.9	673	26.5
F	230	9.1	270	10.6	290	11.4	320	12.6
G	312	12.3	380	15.0	460	18.1	508	20.0
H	Ø 162	Ø 6.4	Ø 200	Ø 7.9	Ø 252	Ø 9.9	Ø 317	Ø 12.5
I	477	18.8	602	23.7	741	29.2	829	32.6
J	160	6.3	200	7.9	220	8.7	250	9.8
K	204	8.1	244	9.6	264	10.4	294	11.6
Fan wheel (not shown) - diameter	Ø 315	Ø 12.4	Ø 400	Ø 15.8	Ø 500	Ø 19.7	Ø 560	Ø 22.1
- width	85	3.4	85	3.4	65	2.6	85	3.4

Product type
Article no.
Product category
Version

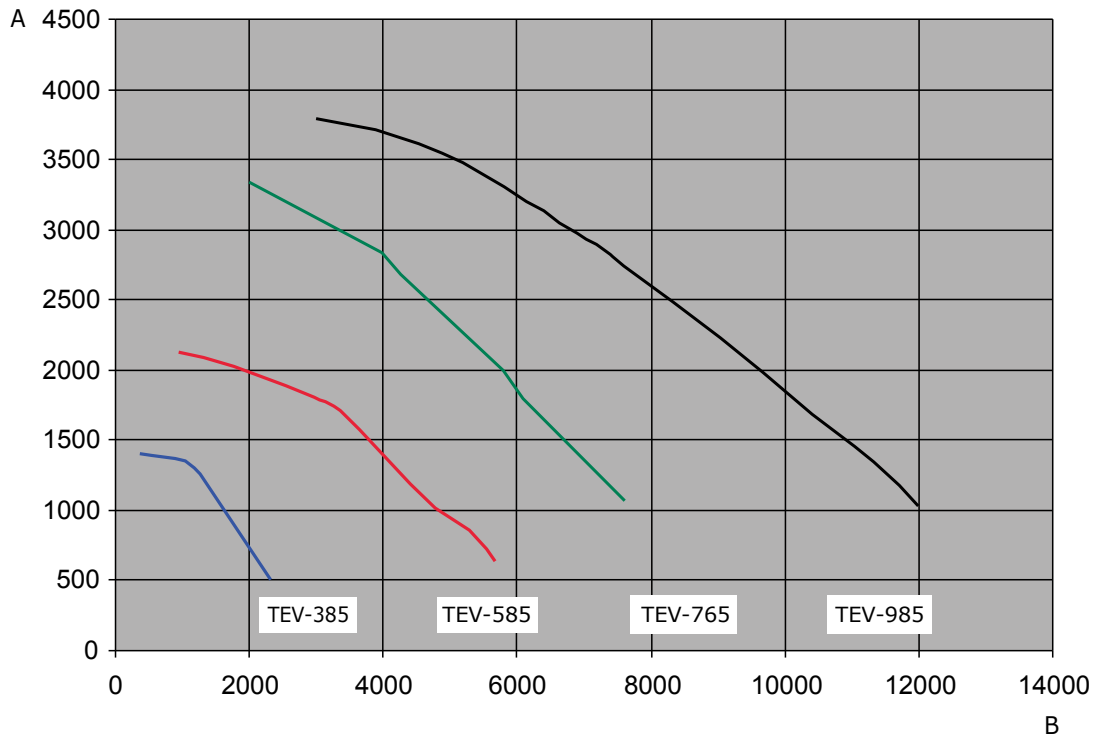
TEV range
see order information
extraction fan
070921/H

Always check the latest version on www.plymovent.com

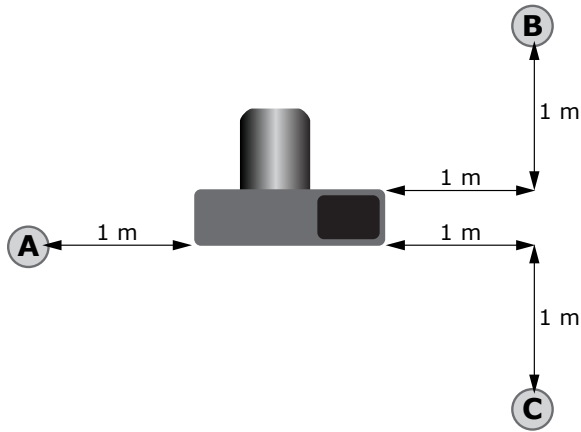
Table 2: Remaining specifications, options and accessories

Features	TEV-385	TEV-585	TEV-765	TEV-985
Article number	0000100324	0000100325	0000100326	0000100327
■ Weight				
Net weight	32 kg (71 lbs)	51 kg (112 lbs)	71 kg (157 lbs)	81 kg (179 lbs)
■ Electrical data				
Connection voltage	230-400V/3~/50Hz	230-400V/3~/50Hz	230-400V/3~/50Hz	400-690V/3~/50Hz
Power	0,75 kW (1 HP)	2,2 kW (3 HP)	4 kW (5 HP)	7,5 kW (10 HP)
Nominal current				
- 230V	3,02 A	7,98 A	13,32 A	-
- 400V	1,7 A	4,61 A	7,69 A	14,1 A
- 690V	-	-	-	8,2 A
■ Options and accessories				
<i>Fan on/off manually (wall)</i> Motor starter:				
- motor protection switch 230V/3~/50Hz	MPS-2.5-4.0 A	MPS-6.3-10.0 A	MPS-10.0-16.0 A	-
- motor protection switch 400V/3~/50Hz	MPS-1.6-2.5 A	MPS-4.0-6.3 A	MPS-6.3-10.0 A	MPS-10.0-16.0 A
- motor protection switch 400-690V/3~/50Hz	-	-	-	MPS-6.3-10.0 A
<i>Fan on/off manually (hood of extraction arm)</i>				
- starter for fan and working light	SA-24-75	SA-24-75	SA-24-75	-
- thermal relay 230V/3~/50Hz	MS-2.3/3.2	MS-7.2/10	-	
- thermal relay 400V/3~/50Hz	MS-1.4/2.0	MS-4.5/6.3	MS-7.2/10	
<i>Fan on/off automatically (inductive sensor)</i>				
- starter for fan and working light	ES-90-005	ES-90-005	ES-90-005	-
- thermal relay 230V/3~/50Hz	MS-2.3/3.2	MS-7.2/10	-	
- thermal relay 400V/3~/50Hz	MS-1.4/2.0	MS-4.5/6.3	MS-7.2/10	
<i>Fan on/off automatically (light sensor)</i>				
- starter for fan and working light	ES-90-005	ES-90-005	ES-90-005	-
- light sensor	LS-12	LS-12	LS-12	
- thermal relay 230V/3~/50Hz	MS-2.3/3.2	MS-7.2/10	-	
- thermal relay 400V/3~/50Hz	MS-1.4/2.0	MS-4.5/6.3	MS-7.2/10	
Outlet transition from rectangular to round	TOL-250	TOL-315	TOL-400	TOL-500
Soft connection for noise and vibration free connection to duct				
- inlet	SC-160	SC-200	SC-250	SC-315
- outlet	SC-250	SC-315	SC-400	SC-500
Vibration dampers to isolate noise and vibration in sensitive environments.	TEV-AV/35	TEV-AV/35	TEV-AV/79	TEV-AV/79
■ Shipping data				
Gross weight	41 kg (90 lbs)	60 kg (132 lbs)	95 kg (209 lbs)	105 kg (231 lbs)
Packing dimensions	860 x 750 x 630 mm (34 x 30 x 25 in.)	860 x 750 x 825 mm (34 x 30 x 33 in.)	1200 x 800 x 1150 mm (47 x 32 x 45 in.)	1200 x 800 x 1150 mm (47 x 32 x 45 in.)

FAN CURVES



SOUND LEVEL



Remarks:

- measuring height from the floor: 1000 mm
- inlet and outlet connected to ductwork

		Sound level in DB(A)		
		Position:		
		A	B	C
Frequency	Motor speed			
TEV-385	25 Hz / 1500 rpm	66	72	64
	30 Hz / 1800 rpm	70	70	64
	35 Hz / 2100 rpm	70	71	70
	40 Hz / 2400 rpm	70	71	69
	45 Hz / 2700 rpm	71	71	73
	50 Hz / 3000 rpm	74	74	73
TEV-585	25 Hz / 1500 rpm	62	63	60
	30 Hz / 1800 rpm	67	68	65
	35 Hz / 2100 rpm	71	70	69
	40 Hz / 2400 rpm	73	74	73
	45 Hz / 2700 rpm	76	76	76
	50 Hz / 3000 rpm	79	79	79
TEV-765	25 Hz / 1500 rpm	67	68	65
	30 Hz / 1800 rpm	71	72	70
	35 Hz / 2100 rpm	75	75	75
	40 Hz / 2400 rpm	77	77	76
	45 Hz / 2700 rpm	79	78	79
	50 Hz / 3000 rpm	80	81	83
TEV-985	25 Hz / 1500 rpm	70	70	69
	30 Hz / 1800 rpm	75	77	74
	35 Hz / 2100 rpm	77	77	77
	40 Hz / 2400 rpm	81	80	80
	45 Hz / 2700 rpm	83	84	84
	50 Hz / 3000 rpm	86	87	87