

T-FLEX

TELESCOPIC EXTRACTION ARM

The T-Flex is a wall-mounted telescopic extraction arm with a rotatable hood *RotaHood*. Incorporated into the hood is a throttle valve that can be fully opened, partially opened or completely closed to control airflow at hood opening. The arm features a focus extraction spoiler, which directs the air into the hood.

The arm is provided with an *EasyLift* advanced friction system for light, user friendly positioning of the arm. The telescopic construction enables the arm to extend over 400 mm (15.75 in.) which makes it ideal for small workstations or booth applications. The T-Flex is equipped with a mounting plate. It is suitable for stationary welding fume extraction systems only.



APPLICATIONS

The T-Flex is intended to be used for the following applications:

- MIG-MAG/GMAW welding
- TIG welding
- FCAW welding
- stick/MMAW welding



Do **not** use the T-Flex for the following applications or in the following circumstances:

- arc-air gouging
- aluminium laser cutting
- extraction of aggressive fumes and gases (e.g. from acids, from alkaline, from soldering paste containing lithium)
- extraction of hot gases (more than 45°C/113°F continuously)
- grinding aluminum and magnesium
- flame spraying
- extraction of cement, saw dust, wood dust etc.
- sucking cigarettes, cigars, oiled tissues and other burning particles, objects and acids
- explosive environments or explosive substances/gases



SPECIFICATIONS

Physical dimensions and properties

Arm length	1-1,4 m (40-55 in.)
Diameter	203 mm (8 in.)
Material: • tubes and hood • hoses • throat • handle, rim and grid	<ul style="list-style-type: none"> • polypropylene copolymere with UV stabilization • PVC with metal springs • ABS • nylon, glass fibre reinforced
Max. temperature (continuously): • tubes and hood • hoses • throat • handle, rim and grid	<ul style="list-style-type: none"> • 80°C (176°F) • 80°C (176°F) • 80°C (176°F) • 95°C (203°F)
Colour: • tubes and hood • hoses	<ul style="list-style-type: none"> • yellow RAL 1028 • grey RAL 7024
Weight (net)	7 kg (15.4 lbs)

Performance

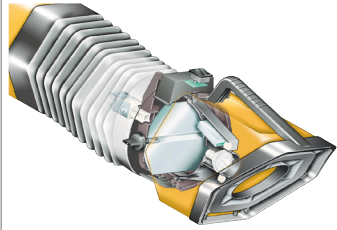
Airflow	max. 1600 m ³ /h (942 CFM)
Ambient conditions	
Operating temperature:	
• min.	• 5°C (41°F)
• nom.	• 20°C (68°F)
• max.	• 45°C (113°F)
Max. relative humidity	80%
Outdoor use allowed	no
Storage conditions	<ul style="list-style-type: none"> • 5-45°C (41-113°F) • relative humidity max. 80%
Product combinations	
TNB + FAN-28	wall bracket + fan
Available options	
WL	working light
WL+AST	working light + automatic start/stop
Scope of supply	
Extraction arm - Hood - Hose 100 cm (2) - Bush (4) - Hardware	
Order information	
Article number	7925260090
Number/package	1
Shipping data	
Gross weight	
Packing dimensions	1200 x 300 x 400 mm (47.2 x 11.8 x 15.7 in.)
Max. number/pallet	7
Harmonized Tariff Code	8421.9900.99
Country of origin	the Netherlands

Approvals/certificates

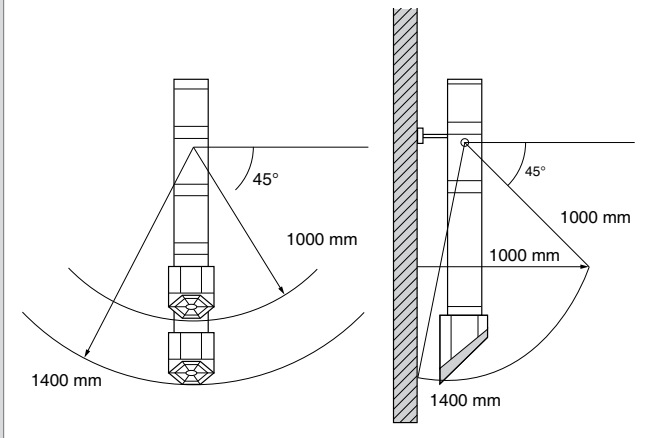
	Directive 2011/65/EC (RoHS) valid as of 8 June 2011
--	---

FEATURES

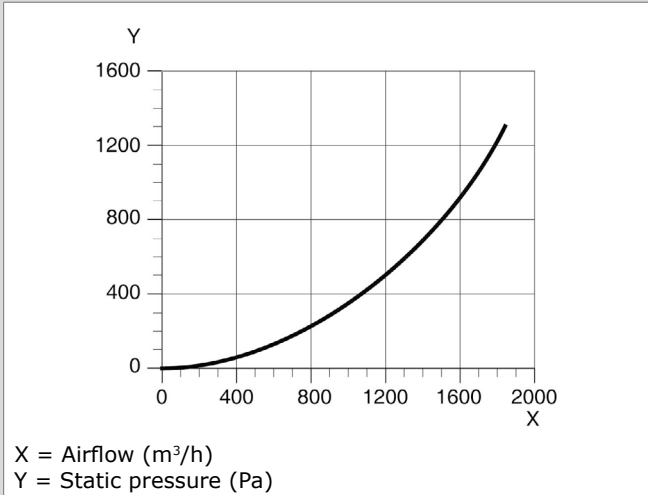
RotaHood 360° rotatable hood



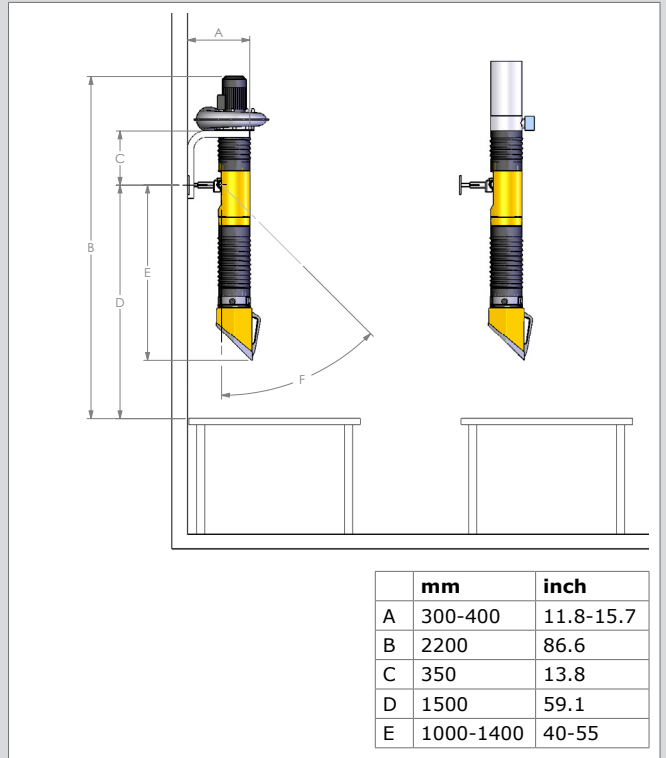
REACH



PRESSURE DROP



MOUNTING MEASUREMENTS



T-Flex + TNB + FAN-28 / T-Flex (+ central fan)

Product type
Article no.
Product category
Version

T-Flex
7925260090
extraction arms/hoses
090922/E

Always check the latest version on www.plymovent.com