

## FAN-42

### EXTRACTION FAN

The FAN-42 is a wall-mounted extraction fan that provides extraction for T-Flex/CW, Flex and UltraFlex extraction arms:

- being part of a central filter system; or
- connected to a 2 or 4 m extension crane (with or without filtration).

The FAN-42 can be mounted directly to the wall.



#### APPLICATIONS

The FAN-42 is intended to be used for the following applications:

- MIG-MAG/GMAW welding
- TIG welding
- FCAW welding
- stick/MMAW welding



Do **not** use the FAN-42 for the following applications or in the following circumstances:

- arc-air gouging
- aluminium laser cutting
- extraction of aggressive fumes and gases (e.g. from acids, from alkaline, from soldering paste containing lithium)
- extraction of hot gases (more than 45°C/113°F continuously)
- grinding aluminum and magnesium
- flame spraying
- extraction of cement, saw dust, wood dust etc.
- sucking cigarettes, cigars, oiled tissues and other burning particles, objects and acids
- explosive environments or explosive substances/gases



#### SPECIFICATIONS

##### Physical dimensions and properties

Material	steel
Colour:	
• housing	• grey
• motor	• blue
Inlet diameter	Ø 200 mm (Ø 7 7/8 in.)
Outlet diameter	Ø 160 mm (Ø 6 1/4 in.)
Weight (net)	34 kg (75 lbs.)

##### Performance

Fan type	radial
Unrestricted airflow	3000 m <sup>3</sup> /h (1750 CFM)
Speed:	
• 50Hz	• 2800 rpm
• 60Hz	• 3400 rpm
Noise level	72 dB(A) according to ISO 3746

##### Electrical data

Power consumption	1,5 kW (2 HP)
Available connection voltages	refer to order information

Max. start/stops per hour	30
Insulation class	F
Protection class	IP 55
<b>Ambient conditions</b>	
Operating temperature:	
• min.	• 5°C (41°F)
• nom.	• 20°C (68°F)
• max.	• 45°C (113°F)
Max. relative humidity	80%
Outdoor use allowed	no
Storage conditions	• 5-45°C (41-113°F) • relative humidity max. 80%
<b>Product combinations</b>	
T-Flex/CW	telescopic extraction arm
Flex-3/4 (+ NEC-2/4)	flexible extraction arm (+ extension crane)
UltraFlex-3/4 (+ NEC-2/4)	ultraflexible extraction arm (+ extension crane)
<b>Available options</b>	
Motor protection switch (MPS) for FAN-42:	
• 230V/3~/50Hz	• MPS 4.0-6.3A
• 400V/3~/50Hz	• MPS 2.5-4.0A
• 208-230V/460V/3~/60Hz	• MPS 2.5-4.0A
Thermal relay (NTR) for FAN-42:	
	CB / CB-MCC-05 +
• 230V/3~/50Hz	• NTR 4.2-5.7A
• 400V/3~/50Hz	• NTR 3.1-4.2A
• 208-230V/460V/3~/60Hz	• NTR 2.3-3.1A
<b>Scope of supply</b>	
Extraction fan incl. inlet and outlet flange - Flexible hose 1,5 m Ø 200 mm - Connection flange Ø 160-200 mm - Bush (2) - Hose clamp (2) - Hardware	
<b>Order information</b>	
FAN-42/RD:	Article no.:
• 230V/3~/50Hz (235)	• 7906010050
• 400V/3~/50Hz (435)	• 7906010010
• 208-230V/460V/3~/60Hz (default: 460V)	• 7905220820

FAN-42/LG:	Article no.:
<ul style="list-style-type: none"> <li>• 230V/3~/50Hz</li> <li>• 400V/3~/50Hz</li> </ul>	<ul style="list-style-type: none"> <li>• 7906020050</li> <li>• 7906020010</li> </ul>
Number/package	1
<b>Logistics data</b>	
Gross weight	37 kg (82 lbs.)
Packing dimensions	800 x 1200 x 650 mm (31½ x 47¼ x 25½ in.)
Max. number/pallet	2
Harmonized Tariff Code	84145925
Country of origin	Netherlands

#### APPROVALS/CERTIFICATES



Directive 2011/65/EC (RoHS)  
valid as of 8 June 2011

#### SENSE OF ROTATION

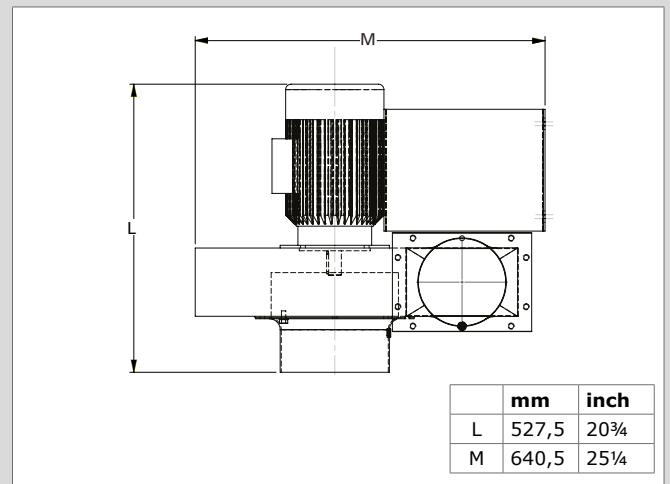
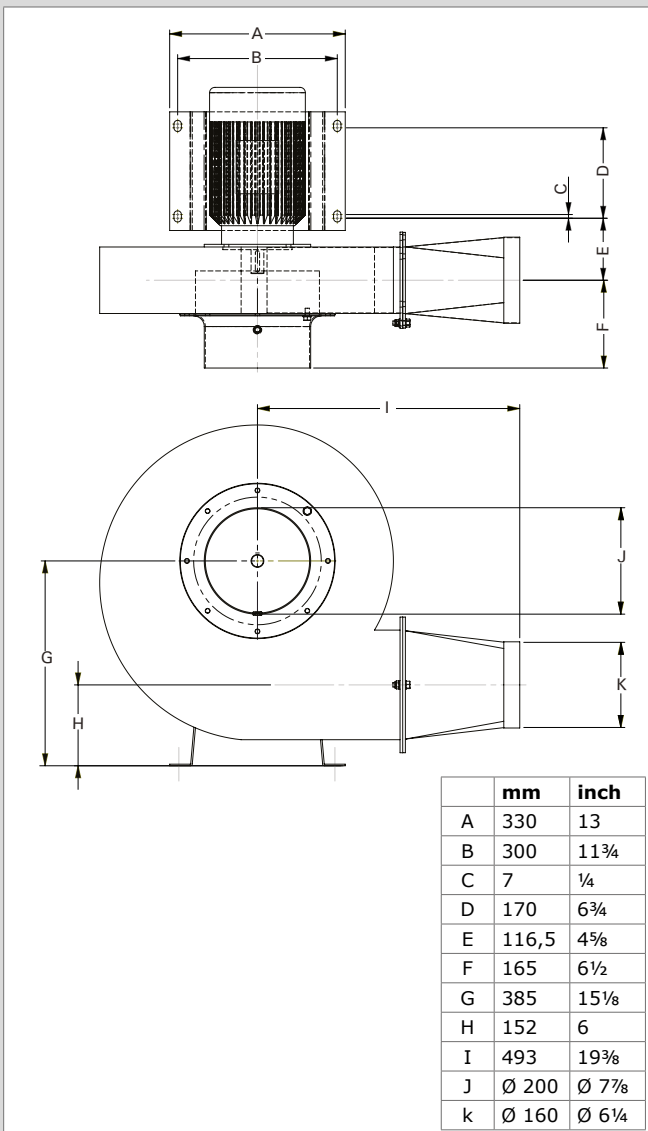


**RD**  
clockwise; outlet right

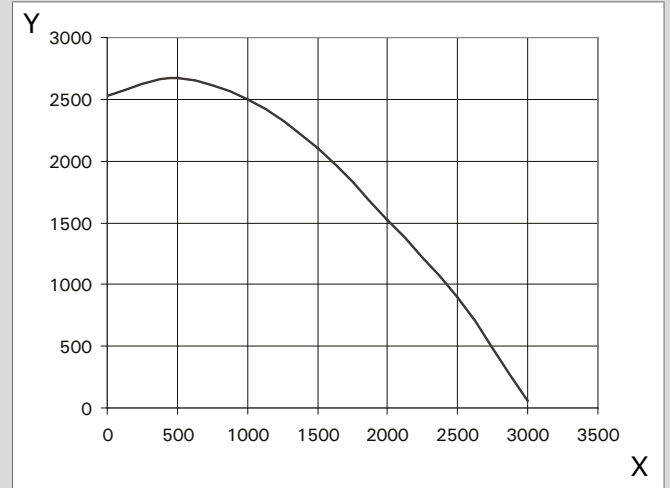


**LG**  
counterclockwise; outlet left

#### DIMENSIONS



#### FAN CURVE



X = Airflow (m³/h)  
Y = Static pressure (Pa)

Product type	<b>FAN-42</b>
Article no.	refer to order information
Product category	extraction fans
Version	27NOV2023/H

Always check the latest version on [www.plymovent.com](http://www.plymovent.com)