

## DUALGO

### STATIONARY FILTER UNIT WITH TWO HOSE TUBE ARMS

The DualGo is a stationary welding fume filter with integrated fan and two hose tube arms (Economy Arm). It contains a disposable filter package.

The DualGo has been designed for occasional to regular welding activities (approx. 1 coil of solid wire or 7,5 kg/16.5 lbs of electrodes per workplace per month) and TIG welding.



### APPLICATIONS

The DualGo is intended to be used for the following applications:

- MIG-MAG/GMAW welding
- TIG welding
- FCAW welding
- stick/MMAW welding
- grinding
- polishing
- finishing



### SPECIFICATIONS

#### Physical dimensions and properties

Material (housing):	electro-zinc coated steel (according to DIN EN 10152)
• steel grade	• DC01+ZE
• steel grade no.	• 1.0330
Colour	yellow RAL 1004 grey RAL 7011
Weight (net), excl. arms	125 kg (276 lbs.)
Mains cord	not included

#### Extraction arms

Type	Economy Arm (EA)
Material	hose tube
Diameter	Ø 160 mm (6.3 in.)
Hood opening	Ø 300 mm (11.8 in.)
Length per arm:	
• EA-2/H	• 2 m
• EA-3/H	• 3 m
• EA-4/H	• 4 m
Weight per arm:	
• EA-2/H	• 11 kg (24.3 lbs)
• EA-3/H	• 13 kg (28.7 lbs)
• EA-4/H	• 15 kg (33.1 lbs)

#### Filters

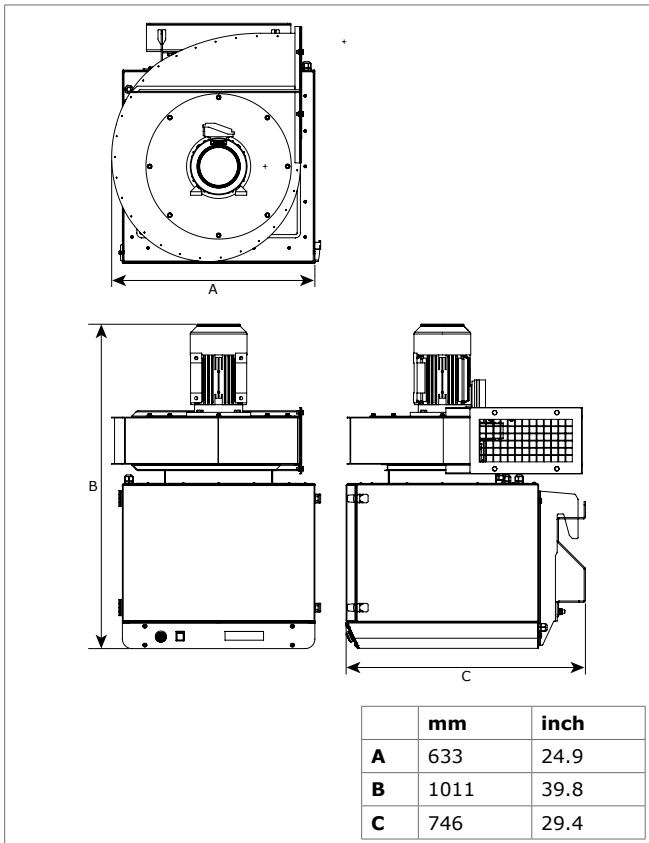
Pre filter cassette:	
• material	• polyester
• filter surface	• 1 m <sup>2</sup> (10.8 ft <sup>2</sup> )
• filter classification	• ISO Coarse 70% according to ISO 16890
• washable	• no
HEPA filter cassette:	
• material	• glass fibre
• filter surface	• 26 m <sup>2</sup> (280 ft <sup>2</sup> )

• efficiency class	• E12 according to EN 1822-1:2009
• washable	• no
<b>Welding fume class</b>	
W3	according to ISO 15012-1:2013
<b>Performance</b>	
Fan type	radial
Extraction capacity (incl. extraction arms)	max. 1700 m <sup>3</sup> /h (1000 CFM)
Fan speed	2800 rpm
Noise level (according to ISO 3746)	• 79 dB(A)
• with silencer SAS-315	• 70 dB(A)
<b>Electrical data</b>	
Power consumption	2,2 kW (3 HP)
Available connection voltage	• 400V/3ph/50Hz (435)
Motor design	NEMA
Energy efficiency	IE3 / premium
<b>Ambient and process conditions</b>	
Process temperature:	
• min.	• 5°C (41°F)
• nom.	• 20°C (68°F)
• max.	• 70°C (158°F)
Max. relative humidity	90%
Suitable for outdoor use	no
Storage conditions	• 5-45°C (41-113°F)
	• relative humidity max. 80%
<b>Options and accessories</b>	
SAS-250 straight	silencer
<b>Scope of supply</b>	
Stationary filter unit, incl. fan and wall bracket – Extraction arm (pre-assembled; excl. hose tube) (2) – Hose tube (2) – Hose clamp (4) – Rotating flange (2) – Arm swivel ring, incl. rubber collar (2) – Extraction hood (2) – Hood collar with safety mesh (2) – Mounting material – Switch box – Outlet transition rectangular-round Ø 250 mm	

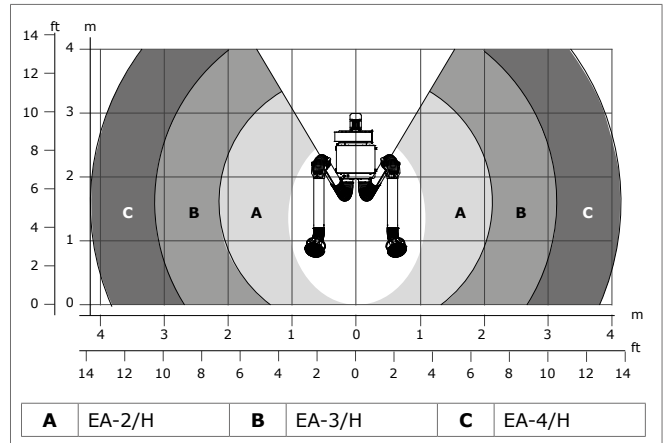
Type	DualGo/2m+2m	DualGo/3m+3m	DualGo/4m+4m
<b>■ Order information</b>			
Connection voltage	Article no.	Article no.	Article no.
400V/3ph/50Hz	0000111462	0000111482	0000111494
Number/package	1	1	1
<b>■ Logistics data</b>			
Gross weight (incl. pallet)	156 kg (344 lbs.)	169 kg (373 lbs.)	173 kg (381 lbs.)
Packing dimensions (incl. pallet)	80 x 120 x 135 cm (31.5 x 47.2 x 53.1 in.)	100 x 120 x 175 cm (39.8 x 47.2 x 68.9 in.)	100 x 120 x 225 cm (39.8 x 47.2 x 88.6 in.)
Max. number/pallet	1	1	1
Harmonized Tariff Code	84213925	84213925	84213925

Type	DualGo/2m+3m	DualGo/2m+4m	DualGo/3m+4m
<b>■ Order information</b>			
Connection voltage	Article no.	Article no.	Article no.
400V/3ph/50Hz	0000111500	0000111506	0000111512
Number/package	1	1	1
<b>■ Logistics data</b>			
Gross weight (incl. pallet)	166 kg (366 lbs.)	168 kg (371 lbs.)	171 kg (377 lbs.)
Packing dimensions (incl. pallet)	100 x 120 x 175 cm (39.8 x 47.2 x 68.9 in.)	100 x 120 x 225 cm (39.8 x 47.2 x 88.6 in.)	100 x 120 x 225 cm (39.8 x 47.2 x 88.6 in.)
Max. number/pallet	1	1	1
Harmonized Tariff Code	84213925	84213925	84213925

**DIMENSIONS**



**WORKING RANGE**



**FEATURES & BENEFITS**





Compact design



Remote control

Service indicator (buzzer)

**APPROVALS/CERTIFICATES**

	
	Directive 2011/65/EC (RoHS) valid as of 8 June 2011

**Application restrictions**

Do **not** use the product for the following applications or in the following circumstances: polishing applications in combination with grinding, welding or any other application that generate sparks (fibres from polishing or abrasive flap disks are highly flammable and pose a high risk of filter fires when exposed to sparks) | aluminium laser cutting | oil mist | heavy oil mist in welding fume | arc-air gouging | extraction of aggressive fumes and gases (e.g. from acids, from alkaline, from soldering paste containing lithium) | extraction of hot gases (more than 70°C/158°F continuously) | grinding aluminum and magnesium | flame spraying | extraction of cement, saw dust, wood dust etc. | sucking cigarettes, cigars, oiled tissues and other burning particles, objects and acids | explosive environments or explosive substances/gases

Product type	<b>DualGo</b>
Article no.	<i>refer to Order information</i>
Product category	stationary filter units
Version	270521/E

Always check the latest version on [www.plymovent.com](http://www.plymovent.com)