

## MINIMAN-160 TopGrade

### EXTRACTION ARM

The MiniMan-160 TopGrade is a flexible arm made of stainless steel, which makes it ideal for use in corrosive environments and environments where hygiene is important, such as the food processing industry.

The arm is fitted with exterior friction joints. The inner tubes are kept in place by a gas spring. This design ensures smooth movement of the arm.



### APPLICATIONS

The MiniMan-160 TopGrade is intended to be used for the following applications:

- corrosive environments
- food processing industry
- chemical applications
- airborne dust
- damp and dust extraction



### SPECIFICATIONS

#### Physical dimensions and properties

Diameter:	
• hose	Ø 160 mm (6¼ in.)
• hood	Ø 300 mm (11¾ in.)
Material:	
• tubes	• stainless steel grade 316L
• hoses	• polyurethane, reinforced with internal stainless steel wire (clear; food grade)
• joints	• PA6 plastic
Mounting position	hanging

#### Performance

Recommended airflow	800-1450 m³/h (471-853 CFM)
• min. airflow	• 800 m³/h (471 CFM)

#### Ambient and process conditions

Process temperature:	
• min.	• 5°C (41°F)
• nom.	• 20°C (68°F)
• max.	• 80°C (176°F)
Max. relative humidity	90%
Suitable for outdoor use	no
Storage conditions	• 5-45°C (41-113°F) • relative humidity max. 80%

#### Scope of supply

Extraction arm (fully assembled) | Mounting bracket

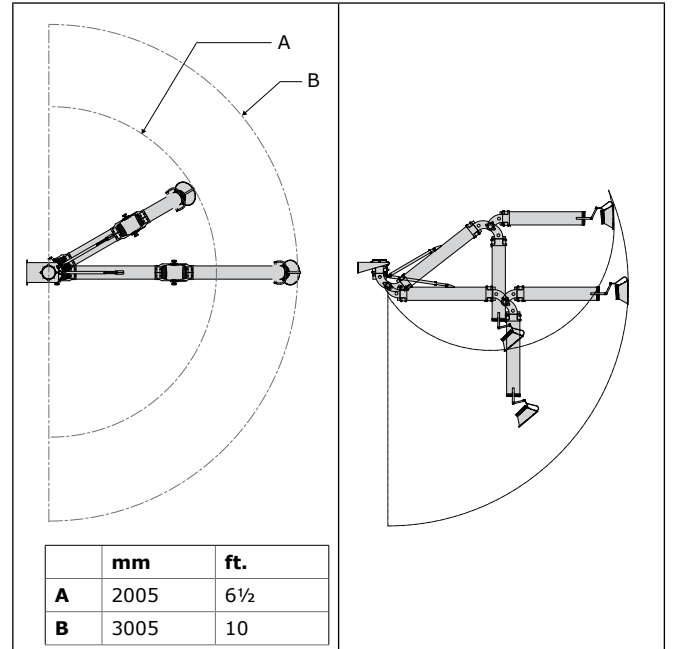
#### Order information

Number/package	1
----------------	---

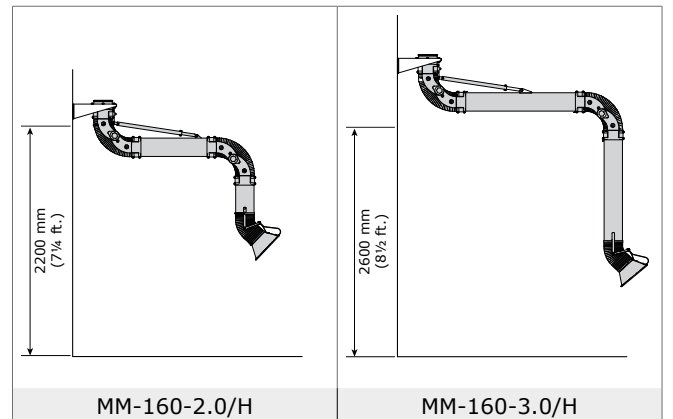
#### Logistics data

Packing dimensions	1760 x 740 x 360 mm
Max. number/pallet	3
Harmonized Tariff Code	84219990

### WORKING REACH



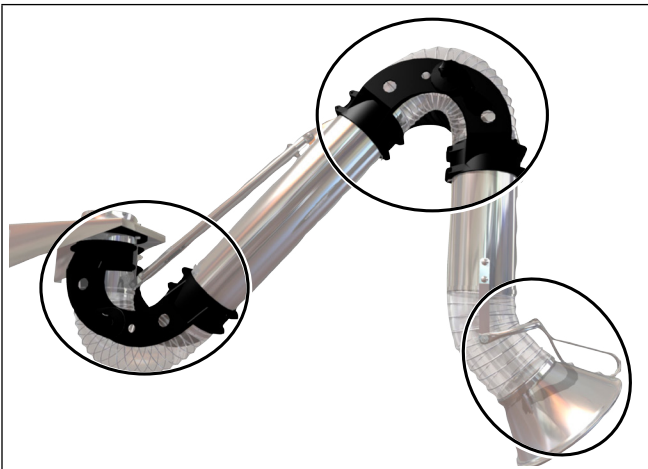
### MOUNTING EXAMPLES



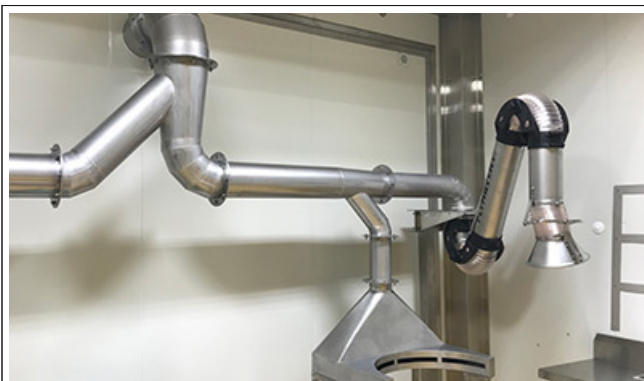
**Remaining specifications**

Type	MM-160-2.0/H stainless	MM-160-3.0/H stainless
<b>Physical dimensions and properties</b>		
Length (nom.)	2 m (6½ ft)	3 m (10 ft)
Weight (net)	23,5 kg (52 lbs.)	25,5 kg (56 lbs.)
<b>Order information</b>		
Article no.	0000101124	0000101125
<b>Logistics data</b>		
Gross weight	25 kg (55 lbs.)	27 kg (60 lbs.)

**FEATURES & BENEFITS**

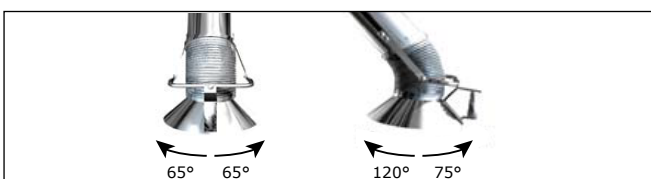


Exterior friction joints ("ClearThru design"), which allows for maximum air velocity, low pressure drop and low noise level

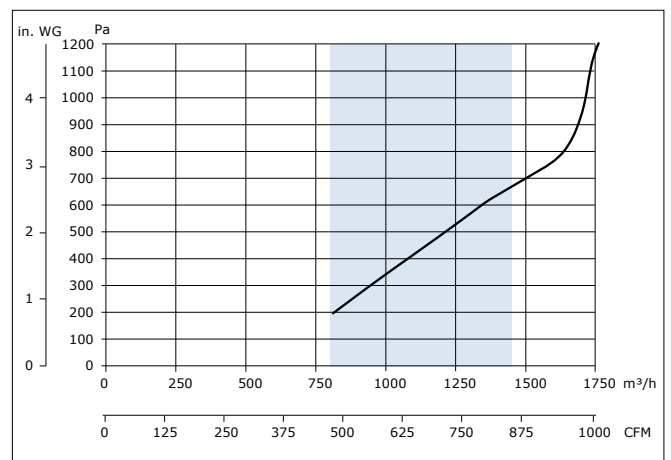


Special TopGrade version for clean working environments

**ARM MOVEMENT**



**PRESSURE DROP**



**Application restrictions**

Do **not** use the product for the following applications or in the following circumstances: polishing applications in combination with grinding, welding or any other application that generate sparks (fibres from polishing or abrasive flap disks are highly flammable and pose a high risk of filter fires when exposed to sparks) | aluminium laser cutting | oil mist | heavy oil mist in welding fume | arc-air gouging | extraction of aggressive fumes and gases (e.g. from acids, from alkaline, from soldering paste containing lithium) | extraction of hot gases (more than 70°C/158°F continuously) | grinding aluminum and magnesium | flame spraying | extraction of cement, saw dust, wood dust etc. | sucking cigarettes, cigars, oiled tissues and other burning particles, objects and acids | explosive environments or explosive substances/gases



Product type  
Article no.  
Product category  
Version

**MiniMan-160 TopGrade**  
*refer to Order information*  
extraction arms  
300922/0

Always check the latest version on [www.plymovent.com](http://www.plymovent.com)