

## TEV (50Hz)

### TEV-385/585/765/985

The TEV is a central extraction fan that is equipped with a lightweight aluminium impeller, making it suited to exhaust gases, volatile fumes and dust. Matched inlet and outlet areas, together with optimized impellers, ensure even airflow, high capacity and low noise level.

The fan is intended and designed for mounting filter units and vehicle exhaust extraction systems. The fan is rated for outdoor use.

#### APPLICATIONS

The TEV is intended to be used for the following applications:

- MIG-MAGt/GMAW welding
- TIG welding
- FCAW welding
- stick/MMAW welding
- vehicle exhaust extraction systems



Do **not** use the TEV for the following applications or in the following circumstances:

- aluminium laser cutting
- extraction of aggressive fumes and gases (e.g. from acids, alkaline, or soldering paste containing lithium)
- extraction of hot gases (more than 80°C/176°F continuously)
- grinding aluminium and magnesium
- flame spraying
- extraction of cement, saw dust, wood dust, etc.
- explosive environments or explosive substances/gases



#### SPECIFICATIONS

■ Physical dimensions and properties	
Material:	<ul style="list-style-type: none"> <li>• impeller</li> <li>• housing</li> </ul>
	<ul style="list-style-type: none"> <li>• aluminum</li> <li>• powder coated galvanized sheet metal</li> </ul>
Colour:	
• motor	black (RAL 9005)
• housing	grey (RAL 7011)
Motor design	IEC 60072
Discharge position	rotatable 90°
Fan type	radial
Design conditions	20°C (68°F) at sea level
Max. airflow temperature	80°C (176°F)
■ Performance	
Speed	2800 rpm
■ Electrical data	
Max. start/stops per hour	30
Insulation class	F
Protection class	IP 55
■ Ambient conditions	
Operating temperature:	
• min.	5°C (41°F)
• nom.	20°C (68°F)
• max.	40°C (104°F)



Max. relative humidity	80%
Storage conditions	5-40°C (41-104°F) relative humidity max. 80%
■ Product combinations	
Vehicle exhaust extraction systems	all systems
Filter units	all systems
Fume extraction systems	all systems
Control equipment	all systems
■ Scope of supply	
Extraction fan	
■ Order information	
Number/package	1
■ Shipping data	
Harmonized Tariff Code	8414.5940.90
Country of origin	the Netherlands

See table 1: for dimensions

See table 2: for remaining specifications, options and accessories

See page 4: for fan curves

#### APPROVALS/CERTIFICATES

	Compliance with CE directives
	Directive 2011/65/EC (RoHS) valid as of 8 June 2011
	Plymovent certifies that the products shown herein are licensed to bear the AMCA Seal. The ratings shown comply with the requirements of the AMCA Certified Ratings Program. Plymovent are rated AMCA type B
	Certified motor
	Certified motor

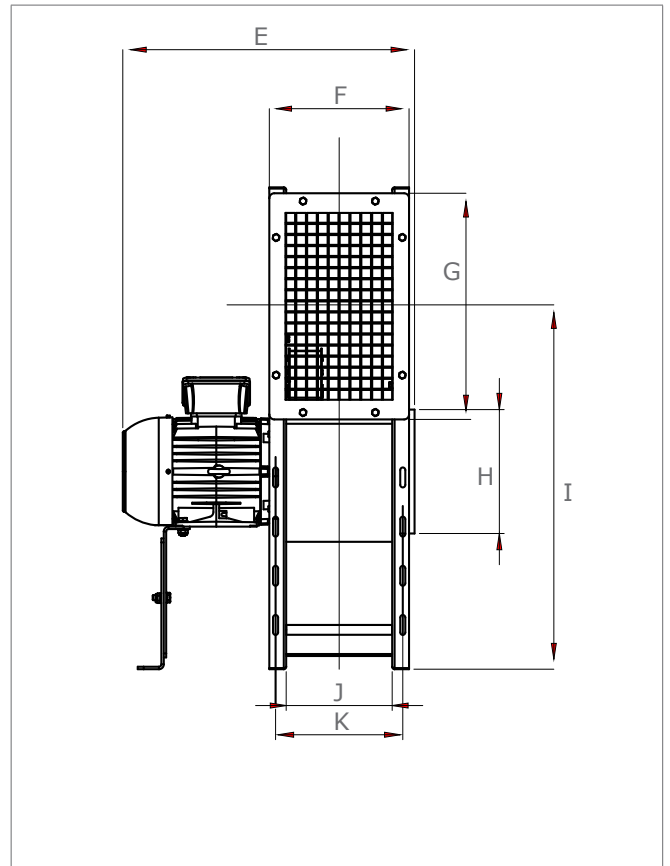
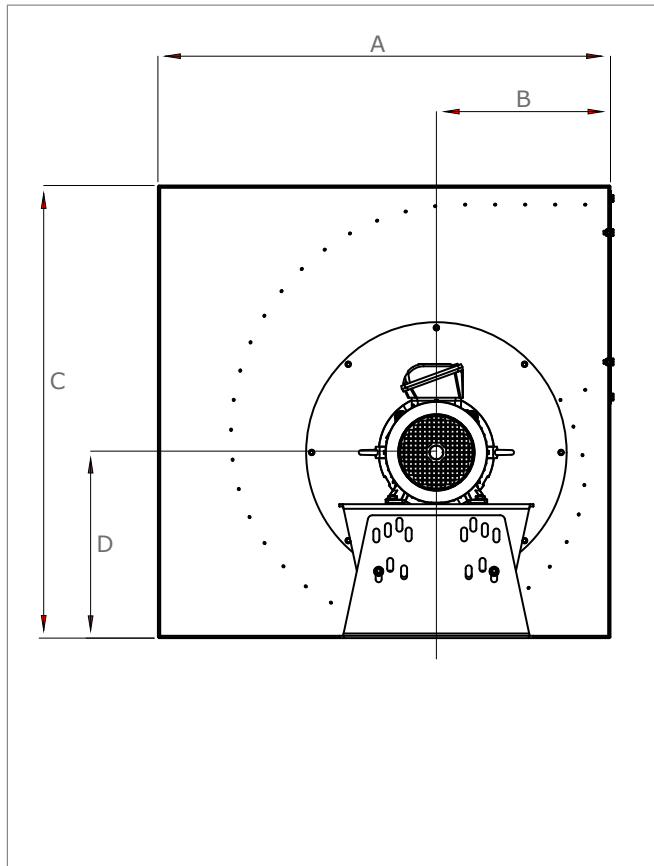


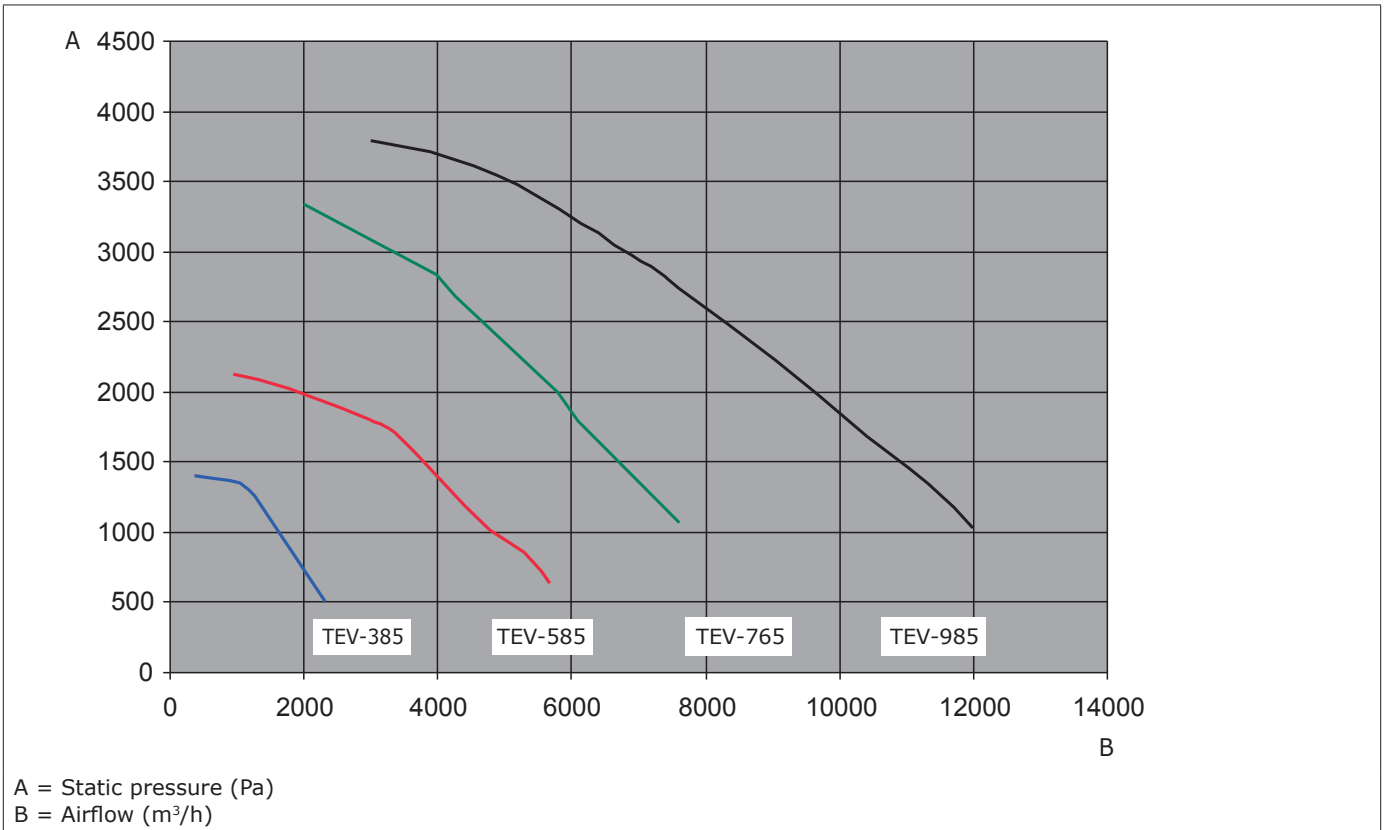
Table 1: Dimensions

	TEV-385		TEV-585		TEV-765		TEV-985	
	mm	inch	mm	inch	mm	inch	mm	inch
A	640	25.2	783	30.8	980	38.6	1100	43.3
B	285	11.2	339	13.4	377	14.8	479	18.9
C	640	25.2	783	30.8	980	38.6	1100	43.3
D	267	10.5	310	12.2	402	15.8	447	17.6
E	446	17.6	532	20.9	606	23.9	673	26.5
F	230	9.1	270	10.6	290	11.4	320	12.6
G	312	12.3	380	15.0	460	18.1	508	20.0
H	Ø 162	Ø 6.4	Ø 200	Ø 7.9	Ø 252	Ø 9.9	Ø 317	Ø 12.5
I	477	18.8	602	23.7	741	29.2	829	32.6
J	160	6.3	200	7.9	220	8.7	250	9.8
K	204	8.1	244	9.6	264	10.4	294	11.6
Fan wheel (not shown)								
- diameter	Ø 315	Ø 12.4	Ø 400	Ø 15.8	Ø 500	Ø 19.7	Ø 560	Ø 22.1
- width	85	3.4	85	3.4	65	2.6	85	3.4

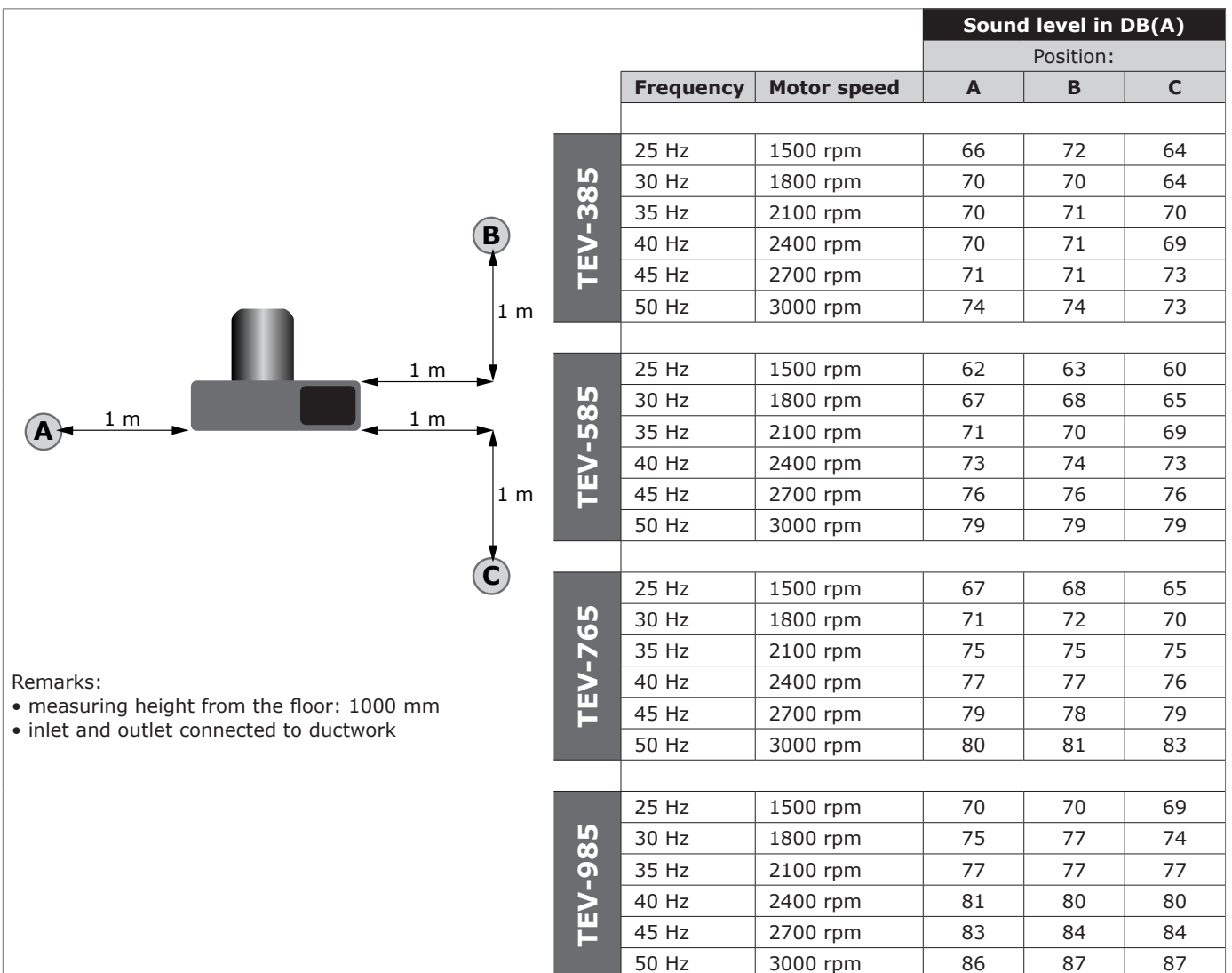
Table 2: Remaining specifications, options and accessories

Features	TEV-385	TEV-585	TEV-765	TEV-985
Article number	0000100324	0000100325	0000100326	0000100327
<b>■ Weight</b>				
Net weight	30 (66 lbs)	42 kg (93 lbs)	85 kg (187 lbs)	87 kg (192 lbs)
<b>■ Electrical data</b>				
Connection voltage	230-400V/3~/50Hz	230-400V/3~/50Hz	230-400V/3~/50Hz	400-690V/3~/50Hz
Power	0,75 kW (1 HP)	2,2 kW (3 HP)	4 kW (5 HP)	7,5 kW (10 HP)
Nominal current				
- 230V	3,02 A	7,98 A	13,32 A	-
- 400V	1,7 A	4,61 A	7,69 A	14,1 A
- 690V	-	-	-	8,2 A
<b>■ Options and accessories</b>				
<i>Fan on/off manually (wall)</i> Motor starter:				
- motor protection switch 230V/3~/50Hz	MPS-2.5-4.0 A	MPS-6.3-10.0 A	MPS-10.0-16.0 A	-
- motor protection switch 400V/3~/50Hz	MPS-1.6-2.5 A	MPS-4.0-6.3 A	MPS-6.3-10.0 A	MPS-10.0-16.0 A
- motor protection switch 400-690V/3~/50Hz	-	-	-	MPS-6.3-10.0 A
<i>Fan on/off manually (hood of extraction arm)</i>				
- starter for fan and working light	SA-24-75	SA-24-75	SA-24-75	-
- thermal relay 230V/3~/50Hz	MS-2.3/3.2	MS-7.2/10	-	
- thermal relay 400V/3~/50Hz	MS-1.4/2.0	MS-4.5/6.3	MS-7.2/10	
<i>Fan on/off automatically (inductive sensor)</i>				
- starter for fan and working light	ES-90-005	ES-90-005	ES-90-005	-
- thermal relay 230V/3~/50Hz	MS-2.3/3.2	MS-7.2/10	-	
- thermal relay 400V/3~/50Hz	MS-1.4/2.0	MS-4.5/6.3	MS-7.2/10	
<i>Fan on/off automatically (light sensor)</i>				
- starter for fan and working light	ES-90-005	ES-90-005	ES-90-005	-
- light sensor	LS-12	LS-12	LS-12	
- thermal relay 230V/3~/50Hz	MS-2.3/3.2	MS-7.2/10	-	
- thermal relay 400V/3~/50Hz	MS-1.4/2.0	MS-4.5/6.3	MS-7.2/10	
Outlet transition from rectangular to round	TOL-250	TOL-315	TOL-400	TOL-500
Soft connection for noise and vibration free connection to duct				
- inlet	SC-160	SC-200	SC-250	SC-315
- outlet	SC-250	SC-315	SC-400	SC-500
Vibration dampers to isolate noise and vibration in sensitive environments.	TEV-AV/35	TEV-AV/35	TEV-AV/79	TEV-AV/79
<b>■ Shipping data</b>				
Gross weight	37 kg (90 lbs)	49 kg (108 lbs)	100 kg (220 lbs)	102 kg (225 lbs)
Packing dimensions	860 x 750 x 630 mm (34 x 30 x 25 in.)	860 x 750 x 825 mm (34 x 30 x 33 in.)	1200 x 800 x 1070 mm (47 x 32 x 42 in.)	1200 x 800 x 1230 mm (47 x 32 x 48 in.)

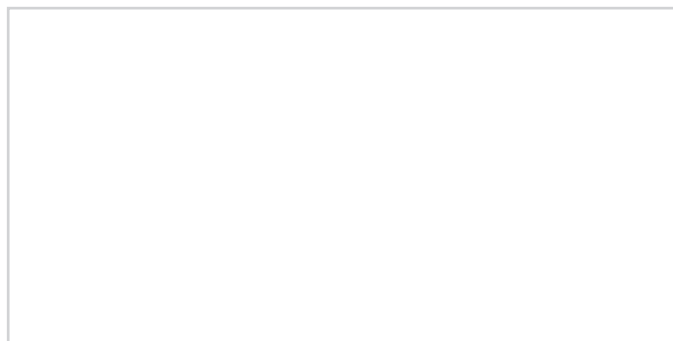
## FAN CURVES



## SOUND LEVEL



**Authorized Plymovent Distributor:**



Product type	<b>TEV (50Hz)</b>
Article no.	refer to tables
Product category	extraction fans
Version	17OCT2022/I

Always check the latest version on [www.plymovent.com](http://www.plymovent.com)