

INTERNAL GRABBER

UNIVERSAL EXHAUST EXTRACTION NOZZLE

The Internal Grabber® is used to connect internally to the virtually all tailpipe shapes as well as flush tailpipes. The Internal Grabber is able to hose a variety of hose diameters. It is designed to connect to tailpipes, immediately limiting the danger of exhaust emissions exposure for the user and other personnel. Next to an unmatched flexible connection beak the Internal Grabber includes a soft edged, sliding and pivoting skirt with optimizing docking possibilities while maximizing exhaust extraction. The Internal Grabber comes standard with an automatic shut-off damper as well as a magnetic mounting tripod for easy out of way storage.



APPLICATIONS

The Internal Grabber is intended to be used for the following applications:



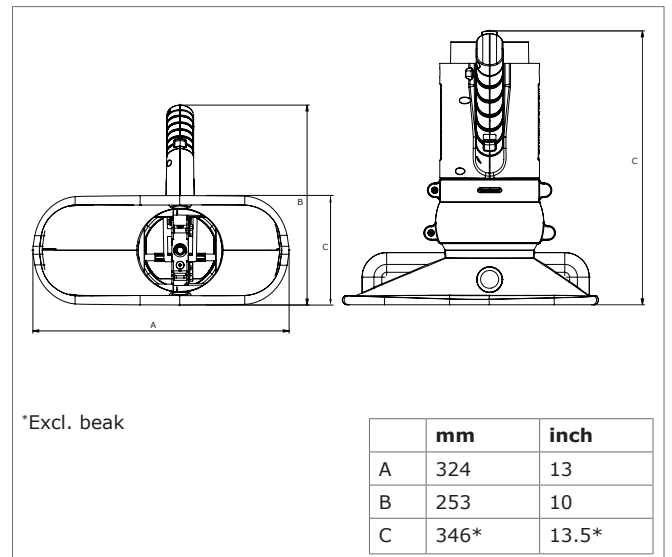
- To eliminate hazardous vehicle exhaust emissions with our vehicle exhaust capture and removal systems for the following segments: workshops, teststations, etc.

SPECIFICATIONS

■ Physical dimensions and properties	
Material	PA-6 (nylon) with 15% glass filling
Colour	Iron gray with yellow support colors
Net Weight	3,1 kg (6.8 lbs)
■ Ambient conditions	
Max. operating temperature:	150°C (300°F)
Max. relative humidity	80%
Outdoor use allowed	no
Storage conditions	<ul style="list-style-type: none"> • -5°C - 30°C (23°F - 100°F) • relative humidity max. 80%
■ Options and accessories	
0000120410	Coupler kit
0000301953	100 > 75 mm (4 in. > 3 in.) reducer
0000301954	100 > 125 mm (4 in. > 5 in.) increaser
0000301955	100 > 150 mm (4 in. > 6 in.) increaser
0000120421	Wall mount Internal Grabber
0000120412	Wall mount coupler
■ Where used	
All vehicles with a tailpipe of Ø 25 - 75 mm (1 - 3 in.)	
■ Scope of supply	
Internal Grabber Wall mount tripod with magnetic feet	
■ Order information	
Article no.	0000120423

Number/package	1
■ Shipping data	
Gross weight	4 kg (8.8 lbs)
Packing dimensions	400 x 400 x 220 mm (16 x 16 x 9 inch)
Harmonized Tariff Code	84219990
Country of origin	Thailand

DIMENSIONS



FEATURES & BENEFITS



Flexible beak to accomodate most tailpipes



Coupler kit available for extracting dual tailpipes



Including (magnetic) wall mount for easy storage



Pivoting skirt to gain maximum coverage

Product type	Internal Grabber
Article no.	0000120423
Product category	Nozzles and grabbers
Version	220622/0

Always check the latest version on www.plymovent.com