

TEST FACILITY NOZZLE

VEHICLE EXHAUST REMOVAL DEVICE

The Test Facility Nozzle (TFN) is a vehicle exhaust removal device, suited for vehicles with an external exhaust pipe. The nozzle cart is primarily used in service stations where the vehicles may be operated indoors for equipment checks. In some countries it is mandatory to check the exhaust emissions of a vehicle during service checks. The sliding panel on the front of the nozzle enables the operator to use an opacimeter to measure the emissions of the vehicle in a safe way without being exposed to harmful exhaust gases. The flat tray is a perfect surface to position test equipment and/or laptops. With the swivel wheels the nozzle is flexible and easy to move.



APPLICATIONS

The Test Facility Nozzle is intended to be used for the following applications:

- To eliminate hazardous vehicle exhaust emissions with our vehicle exhaust capture and removal systems for the following segments: workshops, emission test stations as well as military facilities.



SPECIFICATIONS

Physical dimensions and properties

Materials	<ul style="list-style-type: none"> frame & nozzle stainless steel lids nitrile rubber (NBR)
Dimensions (assembled with handlebar)	650 x 450 x 910 mm (25.5 x 17.7 x 35.8 in.)
Dimensions (disassembled without handlebar)	650 x 450 x 740 mm (25.5 x 17.7 x 29 in.)
Hose diameter	Ø 200 mm (8 in.)
Swivel wheels	4x swivel casters with brake

Ambient conditions

Operating temperature:	depends on hose up to 250°C (482°F)
Max. relative humidity	80%
Outdoor use allowed	no

Scope of supply

Cart | handle | wheels

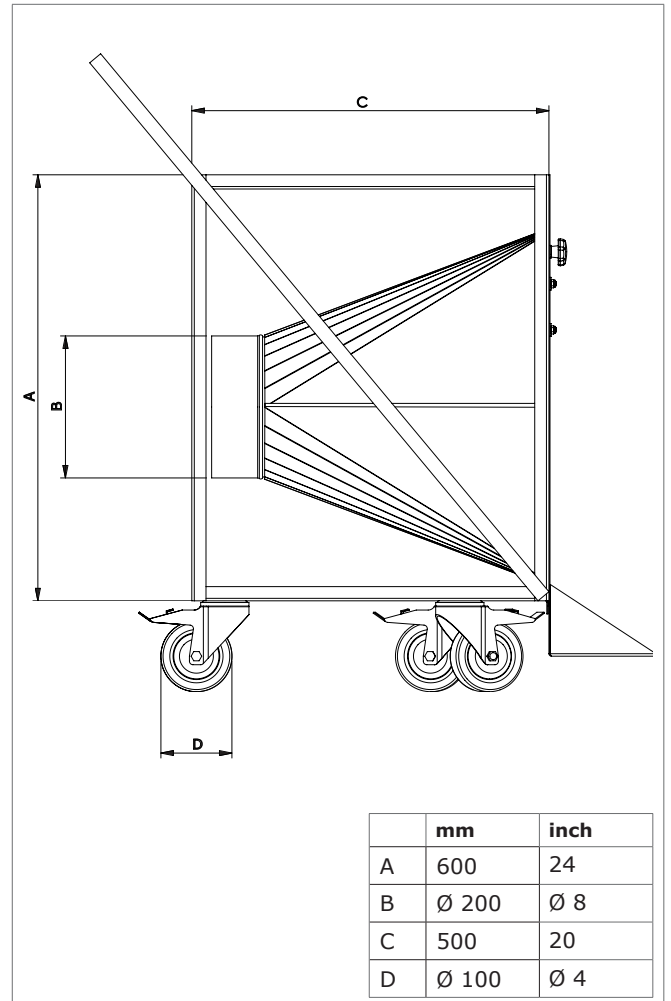
Order information

Article no.	0000117544
Number/package	1

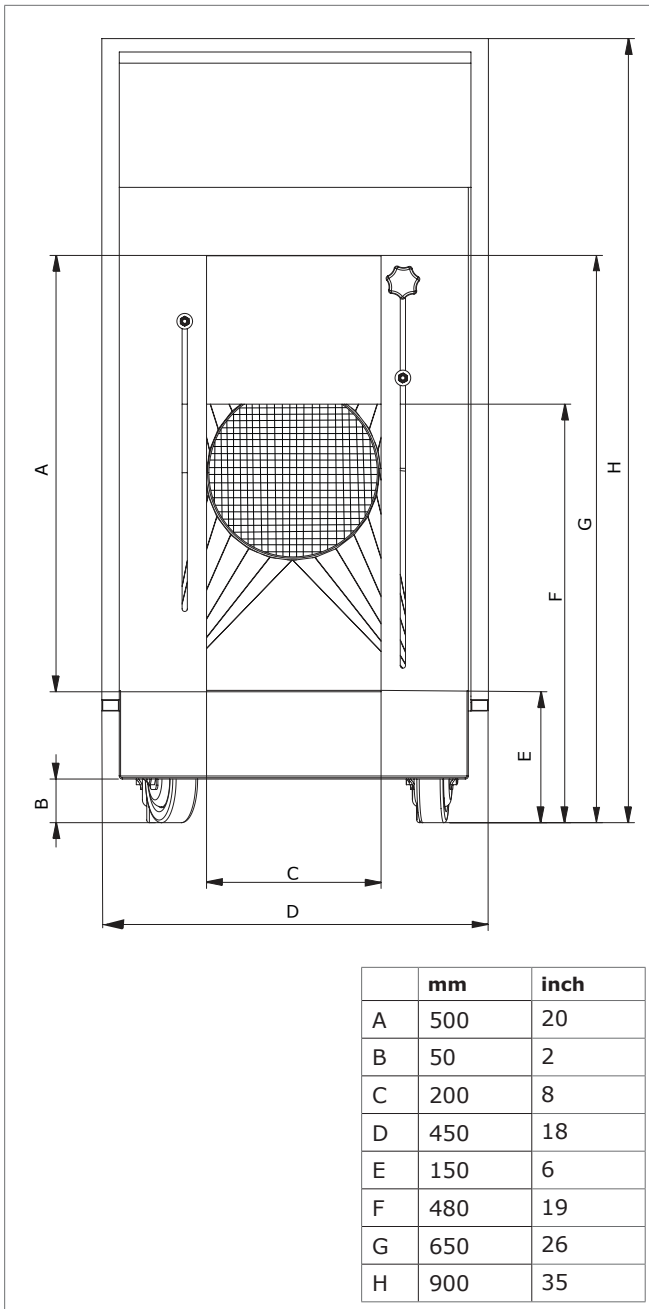
Shipping data

Gross weight	37 kg (81.5 lbs)
Packing dimensions	800 x 700 x 500 mm (31 x 27.5 x 20 in.)
Harmonized Tariff Code	84219990

DIMENSIONS



DIMENSIONS



Product type **Test Facility Nozzle (TFN)**
 Article no. 0000117544
 Product category Nozzles
 Version 020919/0

Always check the latest version on www.plymovent.com