

WALLPRO BASIC

STATIONARY WELDING FUME EXTRACTOR

The WallPro Basic is a stationary welding fume filter including fan. The highly efficient filter cartridge is automatically cleaned by the integrated RamAir™ pulse amplifier, based on external compressed air supply.

Unlike most similar stationary filter units, filter cleaning also takes place *offline* (fan off), which is much more effective than the usual online (fan on).

The WallPro Basic is suitable for connection to e.g. a DraftMax Eco (downdraft table) or a FlexHood (modular extraction hood).



APPLICATIONS

The WallPro Basic is intended to be used for the following applications:

- MIG-MAG/GMAW welding
- TIG welding
- FCAW welding
- stick/MMAW welding
- stainless steel welding
- grinding
- polishing
- finishing



SPECIFICATIONS (general)

Physical dimensions and properties (filter unit)

Material (housing):	electro-zinc coated steel (according to DIN EN 10152)
• steel grade	• DC01+ZE
• steel grade no.	• 1.0330
Colour	yellow RAL 1004 grey RAL 7011
Weight (net), excl. fan	125 kg
Supply cable	not included
Capacity of dustbin	18 litres

Filter cartridge

Type	CART-O/PTFE/20
Filter material	BiCo polyester with PTFE membrane
Filter surface area	20 m ²
Shape	cylindric
Washable	no
Lifetime expectancy	ref. explanation on page 3

Compressed air system

Required compressed air quality	dry and oil-free according to ISO 8573-3 class 6
Inlet pressure	5-10 bar (75-150 PSI)
Required pressure	5 bar (75 PSI) (by integrated pressure regulator)
Compressed air connection	G 3/8" (female)
Compressed air consumption	35 NI (1.2 ft ³) per pulse
Volume of compressed air tank	9 litres (2.4 gallon)

Activation of filter cleaning system (both online and offline)	<ul style="list-style-type: none"> • pressure controlled • manually by push button • at shutdown
Duration of filter cleaning cycle	60 seconds (6 pulses)

Ambient and process conditions

Process temperature:	<ul style="list-style-type: none"> • min. 5°C (41°F) • nom. 20°C (68°F) • max. 70°C (158°F)
Max. relative humidity	90%
Suitable for outdoor use	no
Storage conditions	<ul style="list-style-type: none"> • 5-45°C (41-113°F) • relative humidity max. 80%




Options and accessories (general)

Dustbin extension set	<ul style="list-style-type: none"> • metric Ø 200 mm • imperial Ø 8 inch
WCS-WP	welding cable sensor
Filter disposal bag (5 pieces)	for dust-free filter removal

Scope of supply

Filter unit (without side panels) – Side panel set – Mounting bracket – Fan – Dustbin – Air hose (filter pressure) 2x10 m – Control box – Duct mounting kit (inlet flange + non-return valve) – SealApplicator (seal assembly lubricant) – Fan outlet transition from rectangular to round – Filter disposal bag (5 pieces)

APPROVALS/CERTIFICATES

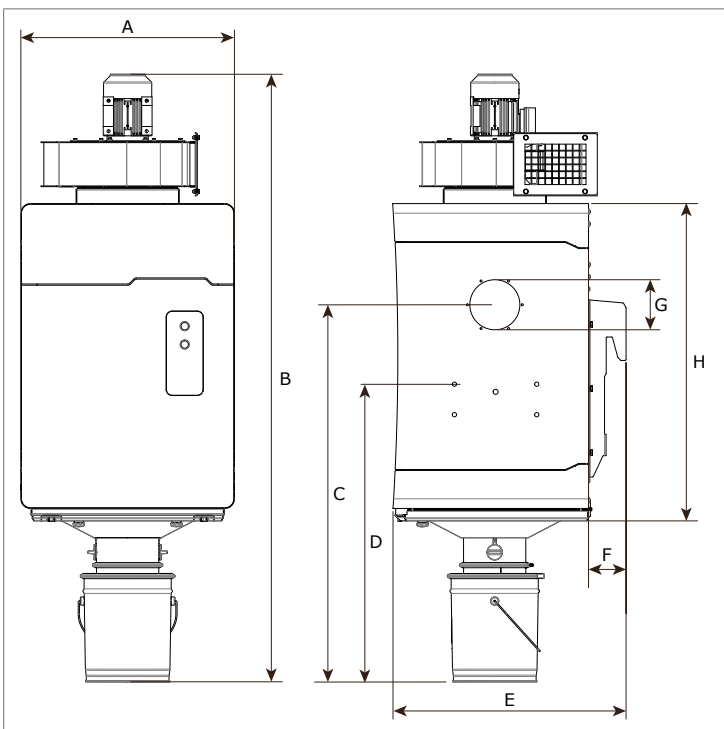
 50Hz	 60Hz	Control box
Welding fume class		W3 according to ISO 15012-1:2013
		Directive 2011/65/EC (RoHS) valid as of 8 June 2011

SPECIFICATIONS (per product type)

	Type Frequency	WallPro Basic		WallPro Basic PowerPlus	
		50Hz	60Hz	50Hz	60Hz
■ Inlet connection					
Diameter		Ø 160 mm		Ø 200 mm	
Number (left or right)		1		1 (2 on request)	
■ Extraction fan¹					
Type		FUA-3000		FUA-4700	
Power consumption		1,1 kW (1.5 HP)	1,5 kW (2 HP)	2,2 kW (3 HP)	2,2 kW (3 HP)
Motor design		IEC	NEMA	IEC	NEMA
Energy efficiency		IE3	premium	IE3	premium
Fan outlet (via adapter)		Ø 250 mm		Ø 250 mm	
■ Performance					
Max. extraction capacity (without arm; clean filter)	• 1 inlet • 2 inlets	1250 m ³ /h (735 CFM) n/a		2100 m ³ /h (1240 CFM) 2 x 1550 m ³ /h (2 x 915 CFM)	
Noise level (according to ISO 3746) • with optional silencer		75 dB(A) 67 dB(A)		76 dB(A) 67 dB(A)	
■ Options and accessories					
Silencer		SAS-250 straight		SAS-250 straight	
■ Order information					
Article no.:	• 400V/3ph/50Hz • 208-230V/3ph/60Hz • 460V/3ph/60Hz • 575V/3ph/60Hz	0000117511		0000117515	
			0000117512		0000117516
			0000117513		0000117517
			0000117514		0000117518
■ Logistics data					
Gross weight (incl. fan and pallet)					
Packing dimensions (incl. pallet):	• filter unit • fan • remaining parts	850 x 750 x 1400 mm		850 x 750 x 1400 mm	
Harmonized Tariff Code		84213925		84213925	

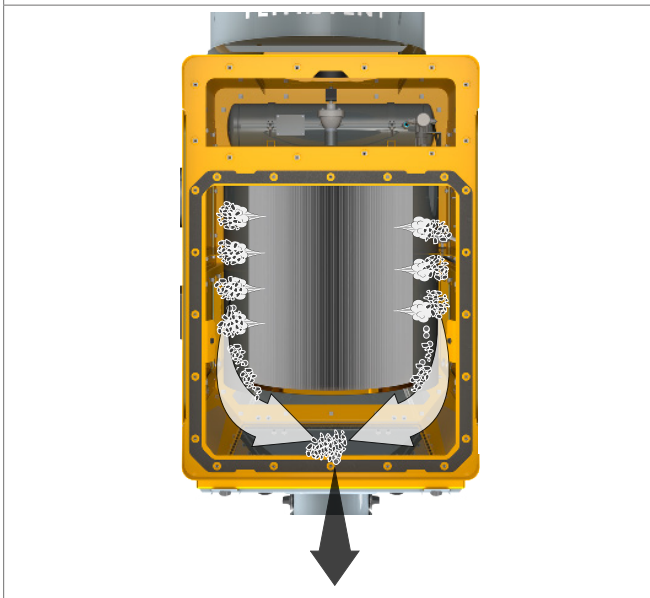
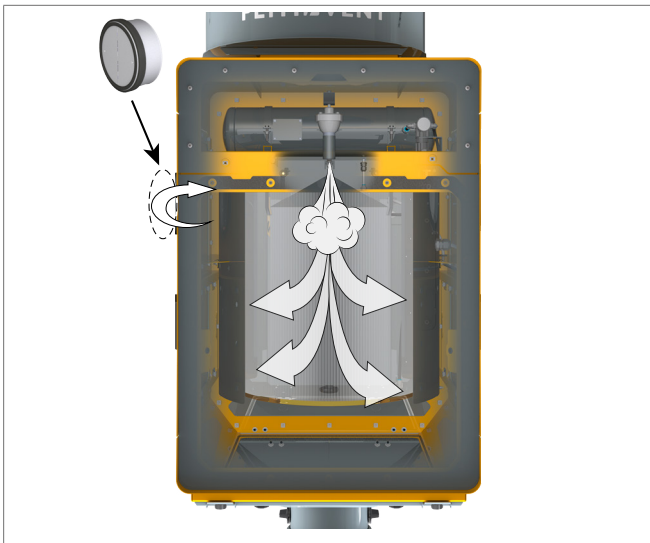
¹ Refer to the separate product data sheet for more detailed information

DIMENSIONS



	mm	inch
A	700	27.6
B Basic	1991	78.4
Basic PowerPlus	2059	81.1
C	1236	48.7
D	975	38.4
E	764	30.1
F	123	4.8
G Basic	Ø 164	Ø 6.5
Basic PowerPlus	Ø 204	Ø 8.0
H	1040	40.9

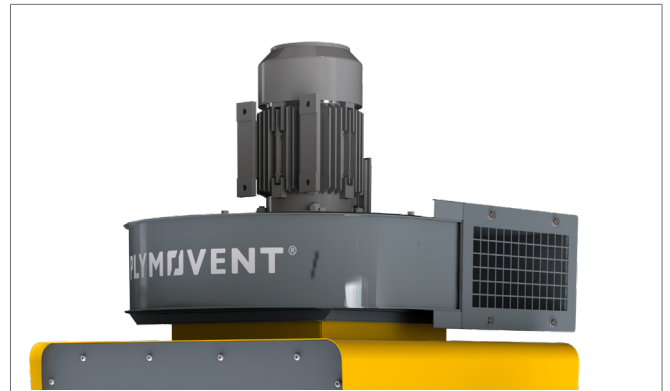
FEATURES & BENEFITS



Highly effective **offline** filter cleaning



Dust-free filter removal & service (bag-in/bag-out)



The WallPro Basic "PowerPlus" is particularly suitable for heavy duty applications with large quantities of fume, such as flux-cored arc welding in combination with an automated welding process



Dustbin extension set (option) for ease of maintenance

Lifetime expectancy of the filter cartridge

The minimum mechanical lifetime expectancy is 12000 pulses @ 5 bar, which is the equivalent of 2 cleaning cycles of 6 pulses per 8 hours for a period of 8000 hours.

Filter cartridges have been subject to an endurance test of 12000 pulses @ 5 bar without showing any sign of wear.

Application restrictions

Do **not** use the product for the following applications or in the following circumstances: polishing applications in combination with grinding, welding or any other application that generate sparks (fibres from polishing or abrasive flap disks are highly flammable and pose a high risk of filter fires when exposed to sparks) | aluminium laser cutting | oil mist | heavy oil mist in welding fume | arc-air gouging | extraction of aggressive fumes and gases (e.g. from acids, from alkaline, from soldering paste containing lithium) | extraction of hot gases (more than 70°C/158°F continuously) | grinding aluminum and magnesium | flame spraying | extraction of cement, saw dust, wood dust etc. | sucking cigarettes, cigars, oiled tissues and other burning particles, objects and acids | explosive environments or explosive substances/gases

Product type	WallPro Basic
Article no.	<i>refer to Order information</i>
Product category	stationary filter units
Version	140520/A

Always check the latest version on www.plymovent.com